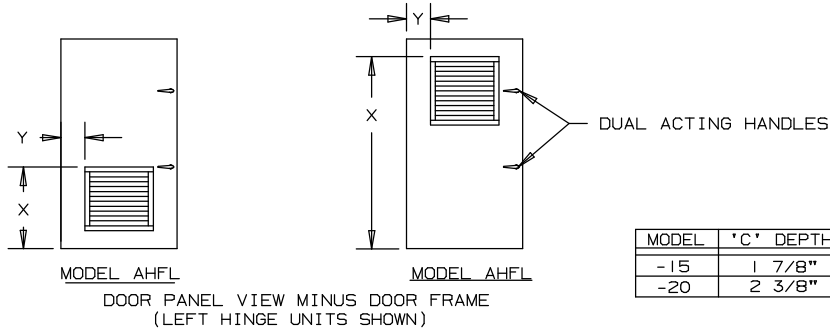
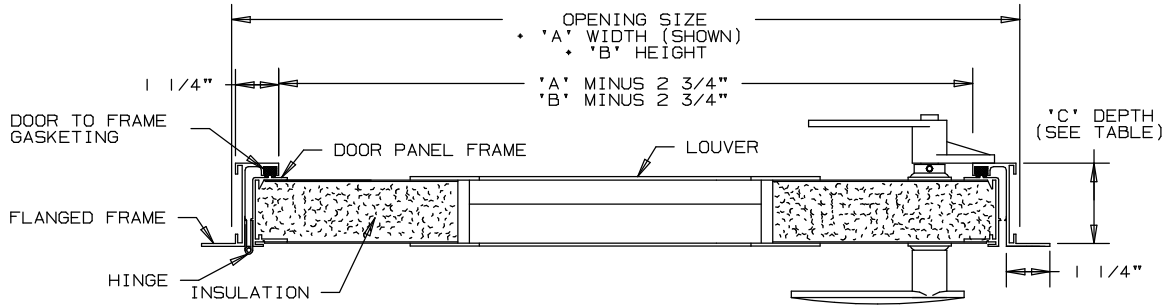


ARROW (OUT-SWING ONLY) STANDARD ACCESS DOOR W/LOUVERS

TYPE AHFL-15 -20



MODEL	*C* DEPTH
-15	1 7/8"
-20	2 3/8"



ITEM	QTY	MODEL				OPENING SIZE		LOUVER SIZE (W + H) O.D. OF FLANGE		LOUVER LOCATION ("X" AND "Y") O.D. DIMENSIONS
		AHFL	-15	-20	L/H	R/H	*A* WIDTH	*B* HEIGHT	AHFL-15	
		AHFL						EA-150-F LOUVER	EA-200-F LOUVER	
		AHFL								

NOTES

- HINGE ALWAYS FURNISHED ON *B* HEIGHT DIMENSION.
- (L) DESIGNATES DOORS WITH LOUVERS SPECIFY (L/H) LEFT HAND OR (R/H) RIGHT HAND HINGE WHEN VIEWING FROM THE OUTSIDE.
- MINIMUM LOUVER SIZE IS 12"x12". MAXIMUM LOUVER SIZE IS FULL DOOR PANEL SIZE. LOUVER LOCATION: USE X-Y DIMENSION.
- UNLESS OTHERWISE SPECIFIED, DOOR WILL BE FABRICATED 1/4" UNDER LISTED SIZE. DIMENSIONAL TOLERANCE IS ±.075.
- MINIMUM SIZE 12" WIDE x 12" HIGH
MAXIMUM SIZE 48" WIDE x 96" HIGH
(WIDTH CANNOT EXCEED 2x HEIGHT)
- OPTIONAL MATERIALS AVAILABLE FOR THE FOLLOWING COMPONENTS:
DOOR PANELS-BONDERIZED STEEL, ALUMINUM OR STAINLESS STEEL
HANDLES-CHROME PLATED
- PLEASE REFER TO INSTALLATION INSTRUCTIONS FOR MOUNTING OF HANDLES, AND DOOR ASSEMBLY MOUNTING.

SPECIFICATIONS

FLANGED FRAME .080-6063-T5 EXTRUDED ALUMINUM	DOOR PANELS 20 GA. GALVANIZED STEEL	HINGE STAINLESS STEEL CONTINUOUS TYPE
DOOR PANEL FRAME .080-6063-T5 EXTRUDED ALUMINUM	INSULATION 2.25 LB. DENSITY POLYURETHANE FOAM	FINISH MILL
	HANDLES DUAL ACTING DIE CAST ZINC	
	GASKET CONTINUOUS LENGTH EXTRUDED FOAMED SANTOPRENE	

PROJECT/LOCATION
ARCHITECT/ENGINEER
CONTRACTOR
SALES ENGINEER
ARROW UNITED INDUSTRIES A DIVISION OF MESTEK, INC. 314 RIVERSIDE DRIVE WYALUSING, PA 18853 TEL: (570) 746-1888 FAX: (570) 746-9286

ACCESS DOOR-MODELS AHFL-15,20

DRAWN BY JRL
DATE 7-24-06

DRAWING NO. 38534