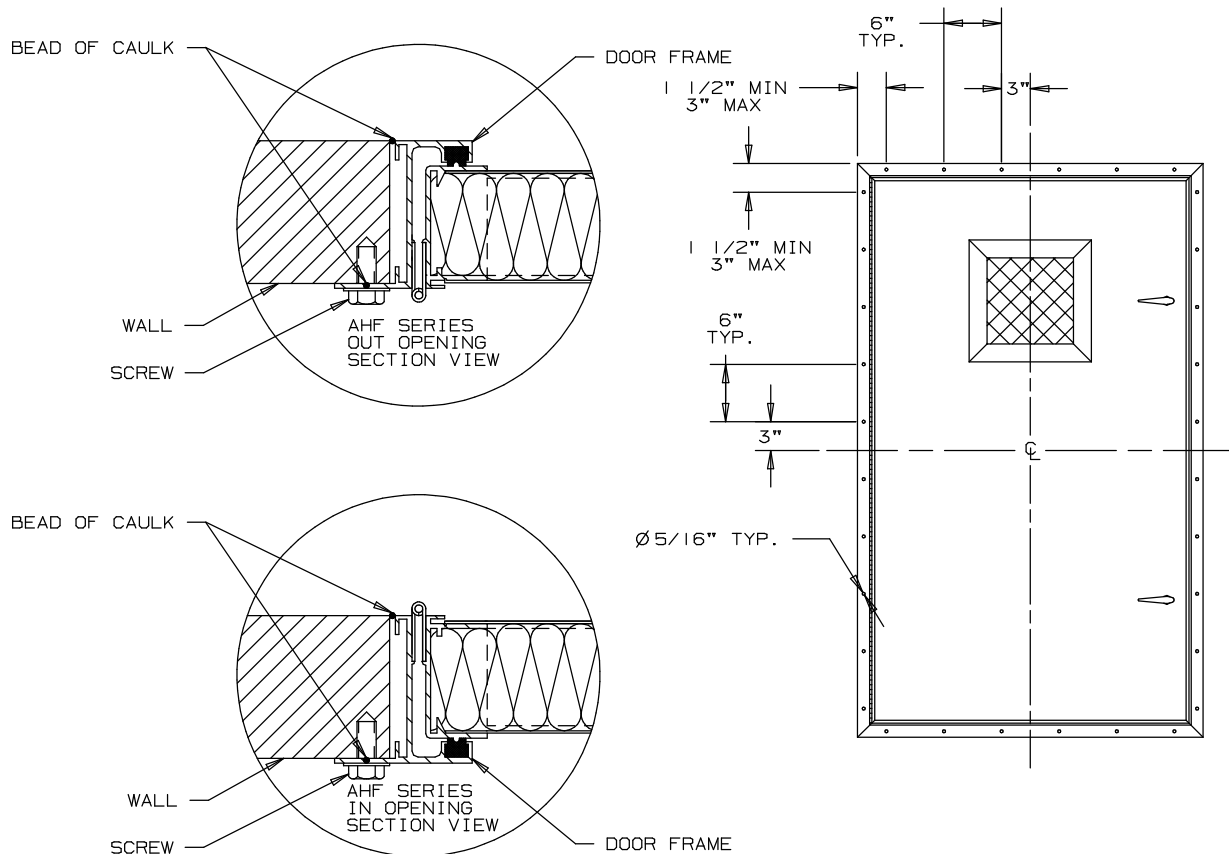


ARROW UNITED INDUSTRIES
A DIVISION OF MESTEK, INC.

314 RIVERSIDE DRIVE
WYALUSING, PA 18853

TEL: (570) 746-1888
FAX: (570) 746-9286

AHF, AHFZ, AND AHFT SERIES ACCESS DOOR INSTALLATION INSTRUCTIONS



NOTE:

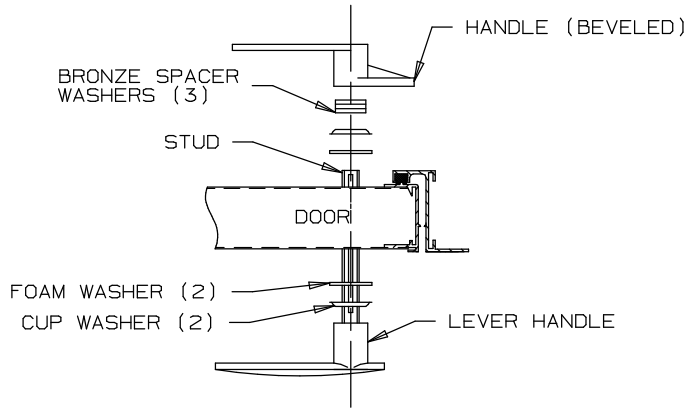
UPON RECEIPT, CHECK CONTAINER FOR ANY DAMAGE THAT MAY HAVE OCCURED DURING TRANSIT. NOTE ANY DAMAGES ON THE DELIVERY RECEIPT. IF CONCEALED DAMAGE HAS OCCURRED, YOU MUST NOTIFY THE FREIGHT CARRIER WITHIN (15) DAYS SO THAT CLAIMS CAN BE FILED.

1. PRIOR TO INSERTING DOOR INTO OPENING, CHECK TO SEE THAT OPENING IS PROPERLY SIZED APPROXIMATELY 1/4" LARGER THAN DOOR ASSEMBLY. WALL SURFACE SHOULD BE FLAT AND EVEN TO PREVENT RACKING OF FRAME.
2. APPLY A BEAD OF SILICONE TYPE CAULK ON EXTERIOR WALL AROUND PERIMETER OF OPENING.
3. PLACE CLOSED DOOR ASSEMBLY INTO OPENING. CENTER AND SQUARE DOOR IN OPENING, DO NOT STRETCH, COMPRESS OR RACK FRAME.
4. TEMPORARY SHIMS MAY BE USED TO HELP MAINTAIN THE LOCATION AND SQUARENESS OF THE DOOR UNTIL IT IS SECURED IN PLACE. WHEN SHIMMING, THE GAP BETWEEN FRAME AND DOOR SHOULD BE EQUAL AT TOP, BOTTOM, AND SIDE OPPOSITE HINGE TO ENSURE SQUARENESS OF DOOR.
5. SECURE DOOR FRAME TO WALL WITH 1/4-14 x 1" SELF-DRILLING SCREWS THROUGH FLANGE AS FOLLOWS: FIRST SECURE AT FOUR CORNERS BY LOCATING SCREWS APPROXIMATELY 2" FROM CORNER. NEXT, SECURE ADDITIONAL SCREWS A MAXIMUM OF 6" ON CENTER, AROUND THE PERIMETER OF THE FRAME. NOTE: RUBBER BUMPERS IN SPACE BETWEEN DOOR AND FRAME, MAY BE REMOVED AFTER THE DOOR ASSEMBLY IS SECURED TO THE WALL.
6. FULLY OPEN AND THEN CLOSE DOOR TO SEE THAT IT IS FREE FROM BINDING AND CLOSES EVENLY. EVEN CLOSURE OCCURS WHEN DOOR AND FRAME SURFACES ARE FLUSH AS NOTED IN SECTION VIEWS ABOVE. IF NOT, TIGHTEN OR LOOSEN SCREWS TO ALLOW FRAME TO BECOME FLUSH WITH DOOR.
7. APPLY A BEAD OF SILICONE TYPE CAULKING AROUND THE INSIDE PERIMETER OF THE FRAME TO FILL VOID BETWEEN WALL OPENING AND DOOR FRAME.
8. SEE REVERSE SIDE OF SHEET FOR DOOR HANDLE INSTALLATION INSTRUCTIONS.

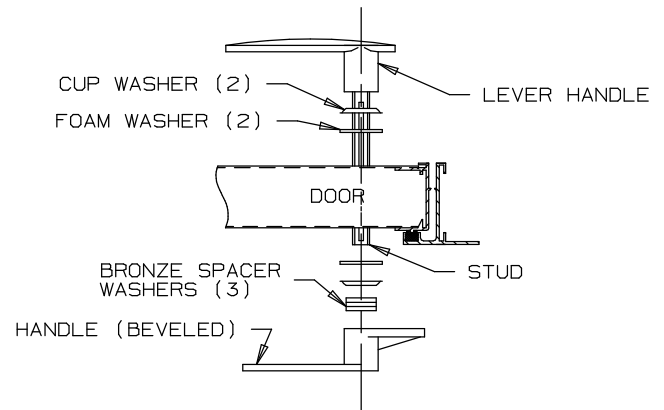
HANDLE INSTALLATION INSTRUCTIONS

(REFER TO APPROPRIATE DRAWING BELOW)

1", 1 1/2", & 2" DEEP DOORS (OUT-OPENING)



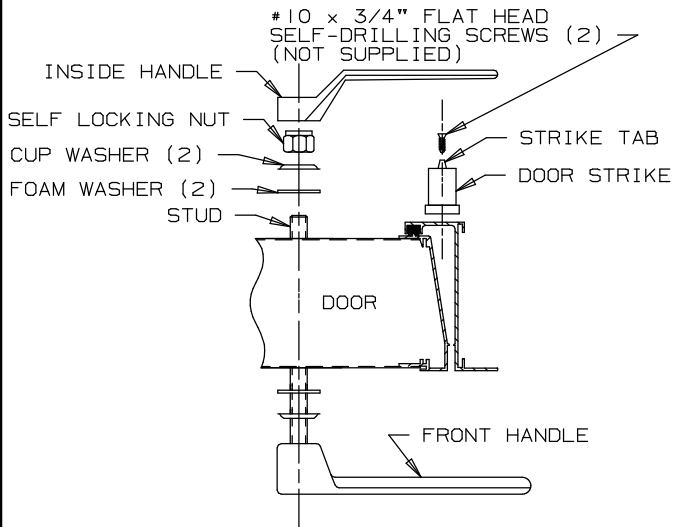
1", 1 1/2", & 2" DEEP DOORS (IN-OPENING)



NOTE: * HANDLE WITH BEVELLED FLANGE GOES ON THE OUTSIDE OF DOOR FOR IN OPENING DOORS AND ON THE INSIDE FOR OUT OPENING DOORS.

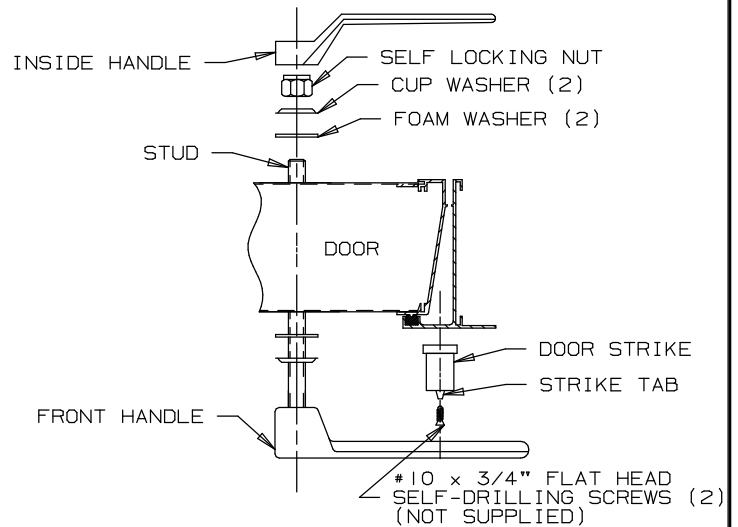
9. SLIDE CUP WASHER AND FOAM WASHER ONTO LEVER HANDLE STUD AND INSERT STUD THROUGH DOOR.
10. SLIDE FOAM WASHER, CUP WASHER AND BRONZE SPACER WASHERS ONTO STUD.
11. SLIDE HANDLE WITH BEVELLED FLANGE ONTO STUD.
12. WHILE PRESSING HANDLES TOGETHER, SECURE HANDLE WITH BEVELLED FLANGE TO STUD.
13. CLOSE DOOR AND MOVE HANDLE TO FULLY LATCHED POSITION. IF THE GASKET DOES NOT COMPRESS, OR LATCHING IS TOO DIFFICULT, ADJUST BEVELLED HANDLE.

4" DEEP DOORS (OUT-OPENING)



9. SLIDE CUP WASHER AND FOAM RUBBER WASHER ONTO FRONT HANDLE STUD AND INSERT STUD INTO DOOR.
10. PLACE FOAM RUBBER WASHER AND CUP WASHER ONTO THE STUD AND THEN THREAD ON SELF-LOCKING NUT UNTIL HANDLE IS SNUG, BUT STILL CAN TURN EASILY.
11. FASTEN DOOR STRIKE TO OUTSIDE OF DOOR FRAME WITH TWO #10 x 3/4" FLAT HEAD, SELF-DRILLING SCREWS SO THE MIDDLE OF THE DOOR STRIKE IS LINED UP WITH THE CENTER OF STUD. THE DOOR STRIKE TAB SHOULD BE ON THE LOWER SIDE SO THAT THE FRONT HANDLE RESTS ON TOP OF IT WHEN IN THE CLOSED POSITION.
12. SLIDE INSIDE HANDLE ONTO STUD, MAKING SURE SET SCREW IS LINED UP WITH FLAT SIDE OF THE THREADS ON THE STUD AND SECURE IN PLACE WITH THE SET SCREW.
13. CLOSE DOOR AND MOVE HANDLE TO FULLY LATCHED POSITION. IF THE GASKET DOES NOT COMPRESS, OR LATCHING HANDLE IS TOO DIFFICULT, ADJUST THE SELF LOCKING NUT ACCORDINGLY.

4" DEEP DOORS (IN OPENING)



9. SLIDE CUP WASHER AND FOAM RUBBER WASHER ONTO FRONT HANDLE STUD AND INSERT STUD INTO DOOR.
10. PLACE FOAM RUBBER WASHER AND CUP WASHER ONTO THE STUD AND THEN THREAD ON SELF-LOCKING NUT UNTIL HANDLE IS SNUG, BUT STILL CAN TURN EASILY.
11. FASTEN DOOR STRIKE TO OUTSIDE OF DOOR FRAME WITH TWO #10 x 3/4" FLAT HEAD, SELF-DRILLING SCREWS SO THE MIDDLE OF THE DOOR STRIKE IS LINED UP WITH THE CENTER OF STUD. THE DOOR STRIKE TAB SHOULD BE ON THE LOWER SIDE SO THAT THE FRONT HANDLE RESTS ON TOP OF IT WHEN IN THE CLOSED POSITION.
12. SLIDE INSIDE HANDLE ONTO STUD, MAKING SURE SET SCREW IS LINED UP WITH FLAT SIDE OF THE THREADS ON THE STUD AND SECURE IN PLACE WITH THE SET SCREW.
13. CLOSE DOOR AND MOVE HANDLE TO FULLY LATCHED POSITION. IF THE GASKET DOES NOT COMPRESS, OR LATCHING HANDLE IS TOO DIFFICULT, ADJUST THE SELF LOCKING NUT AND 1/4" LOCKING COLLAR ACCORDINGLY.