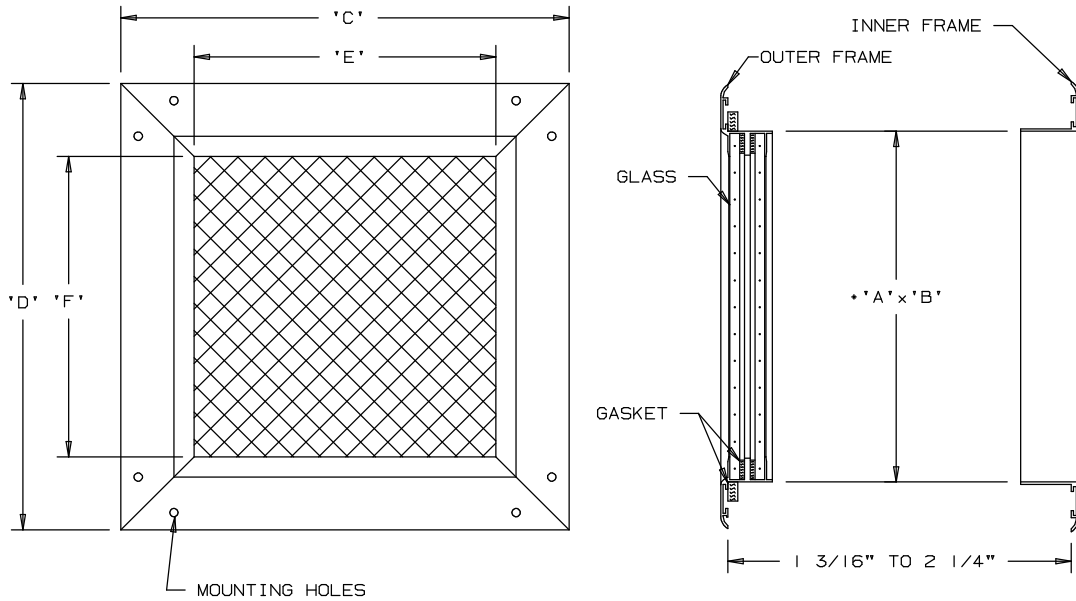


# ARROW TYPE COMPLETE VIEWPORT ASSEMBLIES VCS/VCD



**GLASS TYPES		
P	=	1/4" PLEXI-GLASS
W	=	1/4" WIRE GLASS
T	=	THERMAL PANE (1) 1/4" WIRE, (1) 1/4" CLEAR

## SCHEDULE

ITEM	QTY	VCS SINGLE PANE	VCS DOUBLE PANE	GLASS TYPE**			NOMINAL OPENING SIZE		OUTSIDE FRAME SIZE		VIEW SIZE		IDENTIFICATION
				P	W	T	*A' WIDTH	*B' HEIGHT	*C' WIDTH	*D' HEIGHT	*E' WIDTH	*F' HEIGHT	
							9 7/16"	9 7/16"	11 3/4"	11 3/4"	7 13/16"	7 13/16"	EXAMPLE
							12 7/16"	12 7/16"	14 3/4"	14 3/4"	10 13/16"	10 13/16"	EXAMPLE

## NOTES

- UNLESS OTHERWISE SPECIFIED, VIEWPORT WILL BE FABRICATED 3/16" LESS THAN LISTED SIZE TOLERANCE IS ± .075.
- MINIMUM SIZE, 6" SQUARE, MAXIMUM SIZE, 24" SQUARE.
- VIEW SIZE IS 1 5/8" UNDER NOMINAL OPENING SIZE.
- VIEW PORT WILL ACCOMMODATE A MAXIMUM WALL THICKNESS OF 2 1/4". CONSULT FACTORY IF WALL IS LESS THAN 1 3/16" THICK.
- THESE VIEWPORT UNITS ARE NOT LEAK PROOF.
- ON MODEL VCD-T, WIRE GLASS WILL BE ON OUTSIDE OF VIEWPORT.

## SPECIFICATIONS

<b>FRAME</b> INNER-.060-6063-T5 EXTRUDED ALUM. OUTER-.060-6063-T5 EXTRUDED ALUM.	<b>GLASS</b> ALL PANES 1/4" THICK	<b>MOUNTING HOLES</b> STANDARD-CORNERS ONLY OPTIONAL-NO HOLES
	<b>GASKET</b> NEOPRENE/ETHER	<b>FINISH</b> MILL

PROJECT/LOCATION
ARCHITECT/ENGINEER
CONTRACTOR
SALES ENGINEER
ARROW UNITED INDUSTRIES A DIVISION OF MESTER, INC. 314 RIVERSIDE DRIVE WYALUSING, PA 18853 TEL: (570) 746-1888 FAX: (570) 746-9286

VIEWPORT COMPLETE ASSEMBLY-MODEL VCS & VCD

DRAWN BY  
LCC  
DATE  
4/24/02

DRAWING NO.  
9-500