

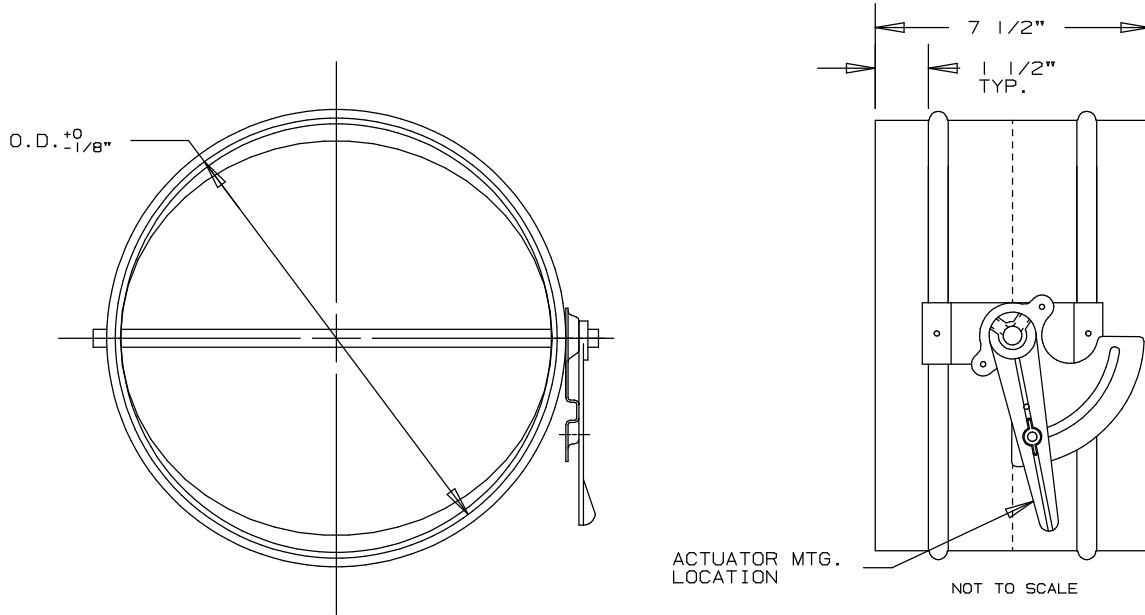
ARROW
BALANCING DAMPER
FORMED STEEL

TYPE
200VCRD

VOLUME CONTROL ROUND DAMPER
FOR USE TO 1" W.G. AND 1500 FPM

DESIGNED FOR MANUAL BALANCING APPLICATIONS

ROLLED RIBS IN FRAME PROVIDE GREATER REINFORCEMENT
EASE OF INSTALLATION AND SEALING JOINT



SPECIFICATIONS

FRAME: 22 GA. GALVANIZED STEEL SLEEVE
7 1/2" LONG WITH REINFORCING RIBS.
BLADE: 20 GA. GALVANIZED STEEL.
SHAFT: 1/2" DIA. PLATED STEEL STUB,
MONO-BOLTED TO BLADE.
BEARING: SWAGED STEEL.

FINISH: FACTORY MILL.
ACTUATOR: HAND QUADRANT, FACTORY MOUNTED.
OPERATING TEMPERATURE LIMIT: 250°F.
DAMPER SIZE: 4" DIA. MINIMUM
24" DIA. MAXIMUM

NOMINAL DEDUCTIONS WILL BE MADE TO OPENING SIZE GIVEN

ITEM	QTY.	DAMPER SIZE O.D.	TAGGING	REMARKS



UNION MADE

ARROW UNITED INDUSTRIES
A DIVISION OF MESTEK, INC.
314 RIVERSIDE DRIVE
WYALUSING, PA 18853
TEL: (570) 746-1888 FAX: (570) 746-9286

AGENT: _____

ARCH./ENG.:	
CONTR:	
PROJECT:	
EDR:	ECN: JOB:
DATE:	DWN: DWG:

DAMPER MODEL 200VCRD

FORMED STEEL - BALANCING DAMPER

PERFORMANCE DATA

PRESSURE DROP RATINGS ARE BASED ON AMCA STANDARD 500 USING TEST SET-UP FIG. 5.3 FOR DAMPER INSTALLED WITH DUCT UPSTREAM AND DOWNSTREAM. STATIC PRESSURES ARE CORRECTED TO .075 LB./CU. FT. AIR DENSITY.

