

ARROW

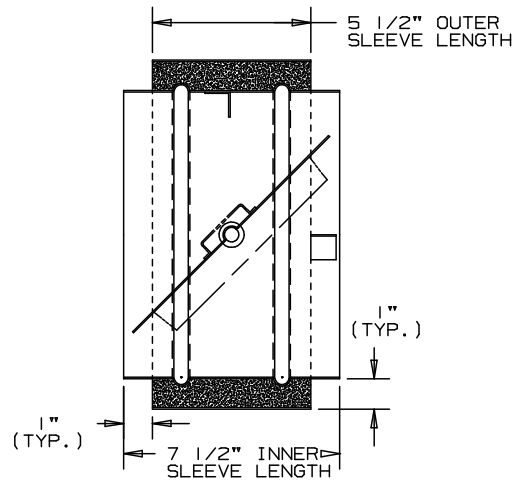
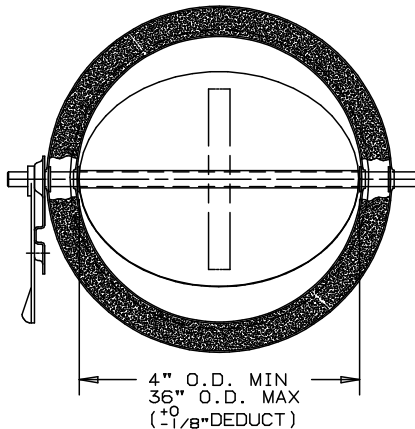
BALANCING DAMPER
FORMED STEEL INSULATED

TYPE 260-DW

VOLUME CONTROL ROUND DUAL WALL DAMPER FOR USE TO 3,000 FPM

DESIGNED FOR BALANCING APPLICATIONS
NOT LOW LEAKAGE
ROLLED INNER FRAME RIBS PROVIDE
GREATER REINFORCEMENT AND
EASE OF INSTALLATION.

DUAL WALL INSULATED
FOR INSTALLATION IN SPIRAL
DUCTWORK, AND BECOMES PART
OF THE DUCTWORK



FITS INSIDE BOTH SKINS OF
DUAL WALL SPIRAL DUCT. NOTE
1/8" O.D. AND I.D. UNDERSIZE

CONSTRUCTION SPECIFICATIONS

FRAME: INNER SLEEVE THICKNESS: 20 GA. ON DAMPERS 4"Ø TO 11"Ø, 18 GA. ON DAMPERS 12"Ø TO 34"Ø, 16 GA. ON DAMPERS 35" AND ABOVE
OUTER SLEEVE THICKNESS: 18 GA. ON DAMPERS 4"Ø TO 24"Ø, 16 GA. ON DAMPERS 25"Ø AND ABOVE

BLADE: 18 GA. ON DAMPERS 4"Ø TO 11"Ø, 16 GA. ON DAMPERS 12"Ø AND ABOVE

SHAFT: 1/2"Ø PLATED STEEL CONTINUOUS ON DAMPERS 4"Ø TO 34"Ø, 3/4"Ø ON DAMPERS 35"Ø AND ABOVE

BEARINGS: SWAGED HOLE FOR BOTH FRAMES WITH THRUST WASHER ON DAMPERS 4"Ø TO 34"Ø, BRONZE OILITE ON DAMPERS 35"Ø AND ABOVE

FINISH: FACTORY MILL

ACTUATOR: Q-37 HAND QUADRANT IS STANDARD, Q-168 HAND QUADRANT IS STANDARD ON SIZE 35"Ø AND ABOVE

DAMPER SIZE: 4"Ø MIN-36"Ø MAX-INNER SLEEVE, 6"Ø MIN-38"Ø MAX-OUTER SLEEVE

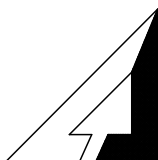
OPTIONAL

1. STAINLESS STEEL MATERIALS
2. ALUMINUM MATERIAL
3. ELECTRIC/ PNEUMATIC ACTUATORS



UNION MADE

NOMINAL DEDUCTIONS WILL BE MADE TO THE OPENING SIZE GIVEN



ARROW UNITED INDUSTRIES
A DIVISION OF MESTEK, INC.

314 RIVERSIDE DRIVE
WYALUSING, PA 18853

TEL: (570) 746-1888 FAX: (570) 746-9286

AGENT: _____

ARCH./ENG. :

CONTR. :

PROJECT :

EDR :

ECN :

JOB :

DATE :

DWN. :

DWG. :

DAMPER MODEL 260-DW

ROUND - VOLUME CONTROL DAMPER

PERFORMANCE DATA

PRESSURE DROP RATINGS ARE BASED ON AMCA STANDARD 500 USING TEST SET-UP 5.3 FOR DAMPER INSTALLED WITH DUCT UPSTREAM AND DOWNSTREAM. STATIC PRESSURES ARE CORRECTED TO .075 LB./CU. FT. AIR DENSITY.

