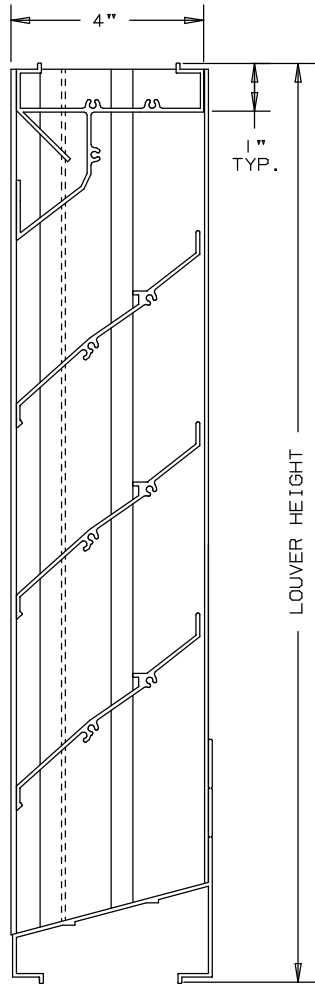


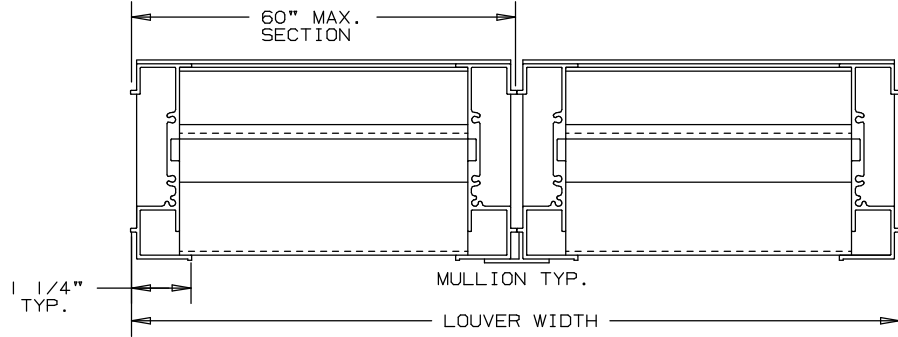
ARROW EXTRUDED ALUMINUM LOUVERS 4" DEEP

TYPE EA-405

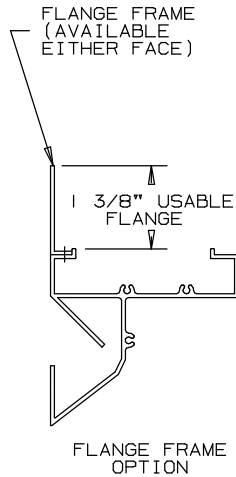
45° BAFFLE BLADE-STATIONARY-CHANNEL TYPE



NOT TO SCALE



1 1/4" TYP.



FLANGE FRAME
(AVAILABLE
EITHER FACE)

FLANGE FRAME
OPTION

SPECIFICATIONS

MATERIAL: EXTRUDED ALUMINUM 6063-T6/T52 ALLOY
AVAILABLE IN .091" THK. AND
.125" THK. (NOMINAL).

FACE OF LOUVER: FULL WIDTH SILL WITH HEAD AND
BLADES CONTAINED WITHIN JAMBS.
APPROXIMATE BLADE CENTERS 4".

SCREEN: (WHEN INDICATED, IN A REMOVABLE FRAME)
BIRD SCREEN - 1/2" FLATTENED ALUMINUM, .051" THK.
OR - 1/2" SQ. MESH INTERMEDIATE DOUBLE-
CRIMPED ALUMINUM WIRE, .063" DIA.
OR - 18/16 MESH, .011" DIA. ALUMINUM
WIRE INSECT SCREEN.

FINISH: _____

MINIMUM PANEL SIZE: 12" x 12"
MAXIMUM SINGLE PANEL SIZE: 60" x 96"

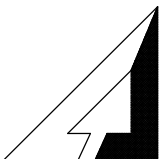
LOUVER PERFORMANCE STATEMENT

LOUVER MODEL EA-405 SHALL BE FABRICATED TO PROVIDE
A MINIMUM OF (56%), 9.02 SQUARE FEET OF FREE AREA FOR
A 48" x 48" SIZE LOUVER AND BEAR THE AMCA CERTIFIED
RATINGS PROGRAM SEAL FOR AIR PERFORMANCE AND WATER
PENETRATION. THE RATING SHALL SHOW A BEGINNING
POINT OF WATER PENETRATION AT .01 OUNCES PER SQUARE
FOOT OF FREE AREA AT A FREE AREA VELOCITY OF 932
FEET PER MINUTE, (8407) CUBIC FEET PER MINUTE, WITH
.125 INCHES WATER GAUGE PRESSURE DROP FOR AIR INTAKE.

FOR CERTIFIED RATINGS
AUTHORIZED BY AMCA
-SEE REVERSE SIDE

NOMINAL DEDUCTIONS WILL BE MADE TO THE OPENING SIZE GIVEN.

ITEM	QTY.	WIDTH	HEIGHT	WIDTH	HEIGHT	MULL	TYPE	LOC	SCREENS	 UNION MADE
		OPENING SIZE		LOUVER SIZE						



ARROW UNITED INDUSTRIES
A DIVISION OF MESTEK, INC.

314 RIVERSIDE DRIVE
WYALUSING, PA 18853

TEL: (570) 746-1888 FAX: (570) 746-9286

AGENT: _____

ARCH./ENG.:

CONTR.:

PROJECT:

EDR: ECN: JOB:

DATE: DWN.: DWG.:

LOUVER MODEL EA-405

45° BAFFLE BLADE

EXTRUDED ALUMINUM - STATIONARY

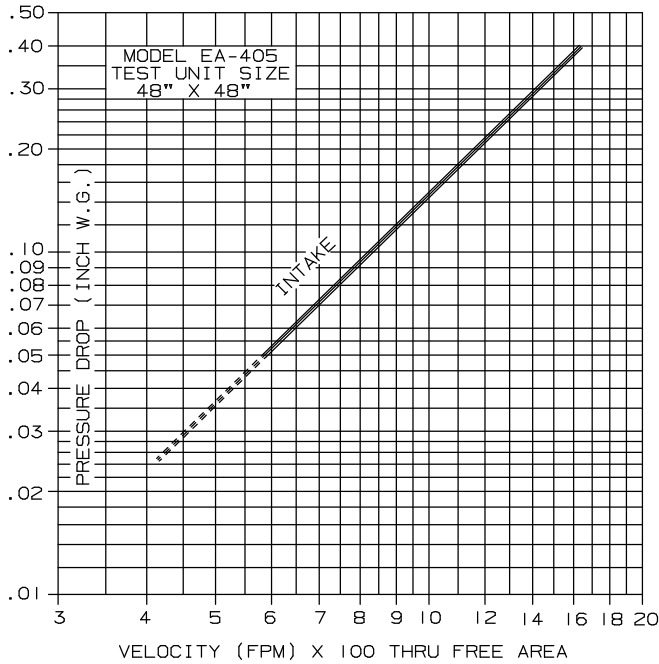
PERFORMANCE DATA

EXCELLENT WEATHER PROTECTION WITH LITTLE PRESSURE LOSS.

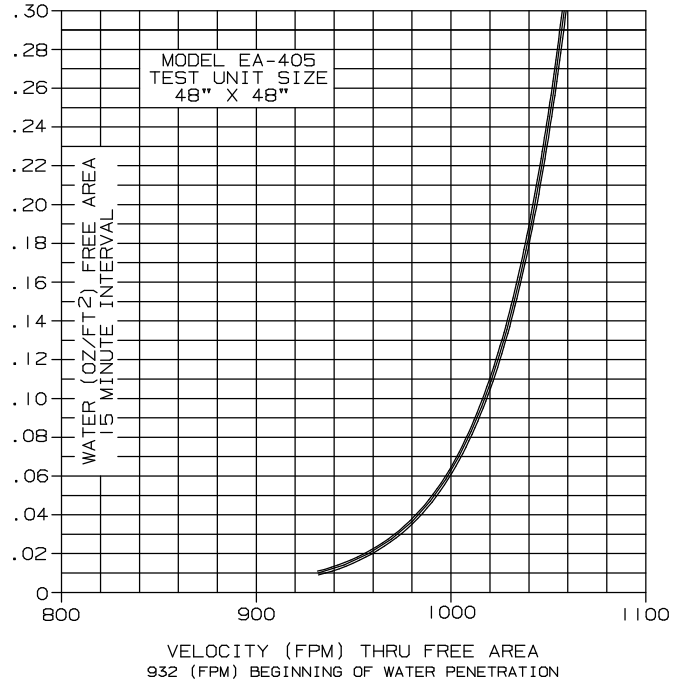
TESTS OF A 48" X 48" SAMPLE BY AN AMCA ACCREDITED LABORATORY ACCORDING TO AMCA STANDARD 500 SHOWS LOW WATER PENETRATION. TESTS SHOW LESS THAN .02 OZ. PER SQ. FT. WATER PENETRATION AT 950 FPM (FREE AREA VELOCITY) WITH LESS THAN .14" W.G. PRESSURE DROP (INTAKE).

RATINGS DO NOT INCLUDE THE EFFECT OF BIRDSCREEN.

PRESSURE DROP



WATER PENETRATION



FREE AREA

HEIGHT	FREE AREA (SQ. FT.)								
	WIDTH								
	12"	18"	24"	30"	36"	42"	48"	54"	60"
12"	.31	.50	.70	.89	1.09	1.28	1.48	1.67	1.87
24"	.82	1.34	1.86	2.38	2.90	3.42	3.94	4.46	4.98
36"	1.34	2.18	3.03	3.87	4.71	5.56	6.40	7.25	8.09
48"	1.85	3.02	4.19	5.36	6.53	7.70	9.02	10.04	11.20
60"	2.37	3.86	5.35	6.85	8.34	9.84	11.33	12.82	14.32
72"	2.88	4.70	6.52	8.34	10.16	11.97	13.79	15.61	17.43
84"	3.39	5.54	7.68	9.83	11.97	14.11	16.26	18.40	20.54
96"	3.91	6.38	8.85	11.31	13.78	16.25	18.72	21.19	23.66



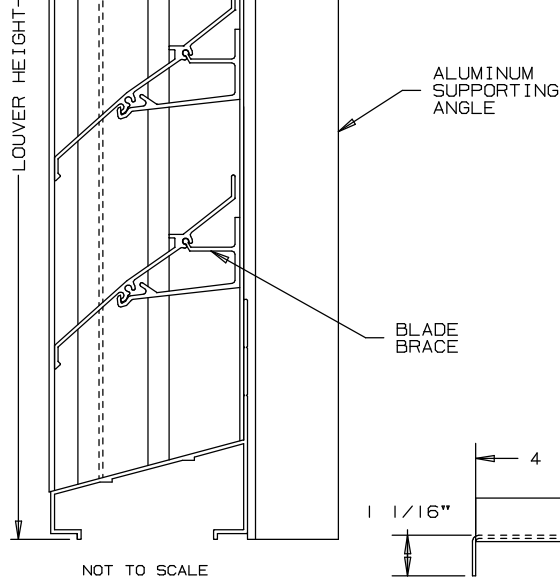
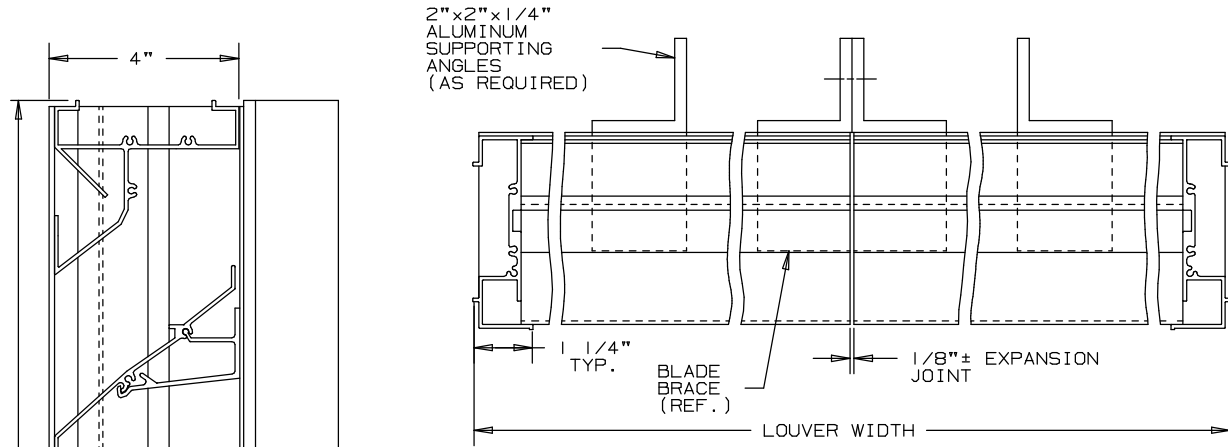
ARROW UNITED CERTIFIES THAT THE MODEL EA-405 SHOWN HEREIN IS LICENSED TO BEAR THE AMCA SEAL. THE RATINGS SHOWN ARE BASED ON TESTS AND PROCEDURES PERFORMED IN ACCORDANCE WITH THE AMCA PUBLICATION 511 AND COMPLY WITH THE REQUIREMENTS OF THE AMCA CERTIFIED RATINGS PROGRAM. THE AMCA CERTIFIED RATINGS SEAL APPLIES TO AIR PERFORMANCE RATINGS AND WATER PENETRATION RATINGS.

* AMCA ACCREDITED LABORATORY IS A LABORATORY EQUIPPED AND STAFFED TO CONDUCT TESTS ACCORDING TO THE APPROPRIATE AMCA TESTS METHOD AND WHICH HAS BEEN LICENSED AS A AMCA ACCREDITED LABORATORY.

ARROW EXTRUDED ALUMINUM LOUVERS CONTINUOUS LINE

TYPE EA-405

45° BAFFLE BLADE-STATIONARY-CHANNEL TYPE



SPECIFICATIONS

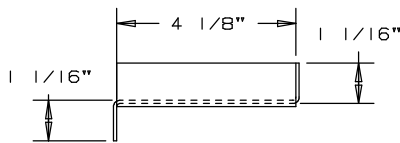
MATERIAL: EXTRUDED ALUMINUM 6063-T6/T52 ALLOY AVAILABLE IN .081" THK. AND .125" THK. (NOMINAL).

FACE OF LOUVER: FULL WIDTH SILL WITH HEAD AND BLADES CONTAINED WITHIN JAMBS. APPROXIMATE BLADE CENTERS 4".

SCREEN: (WHEN INDICATED, IN A REMOVABLE FRAME)
 BIRD SCREEN - 1/2" FLATTENED ALUMINUM, .051" THK.
 OR - 1/2" SQ. MESH INTERMEDIATE DOUBLE-CRIMPED ALUMINUM WIRE, .063" DIA.
 OR - 18/16 MESH, .011" DIA. ALUMINUM WIRE INSECT SCREEN.

FINISH: _____

LOUVERS SHALL WITHSTAND A WIND LOAD OF 20 PSF. CONSULT FACTORY TO SUBSTITUTE OTHER LOAD REQUIREMENTS.



DRAIN PAN DETAIL
 • A DRAIN PAN WILL BE PROVIDED FOR HIDDEN MULLION ARCHITECTURAL CONSTRUCTION FOR MULTI-SECTIONS IN WIDTH (AS SHOWN ABOVE)

FOR CERTIFIED RATINGS
 AUTHORIZED BY AMCA
 - SEE CATALOG SHEET
 #862

NOMINAL DEDUCTIONS WILL BE MADE TO THE OPENING SIZE GIVEN.

ITEM	QTY.	WIDTH	HEIGHT	WIDTH	HEIGHT	MULL	TYPE	LOC		
		OPENING SIZE		LOUVER SIZE					SCREENS	

<p>ARROW UNITED INDUSTRIES A DIVISION OF MESTEK, INC. 314 RIVERSIDE DRIVE WYALUSING, PA 18853 TEL: (570) 746-1888 FAX: (570) 746-9286 WEB ADDRESS: WWW.ARROWUNITED.COM</p>	ARCH./ENG. :
	CONTR. :
	PROJECT :
	EDR: _____ ECN: _____ JOB: _____
	DATE: _____ DWN.: _____ DWG.: _____

AGENT: _____