

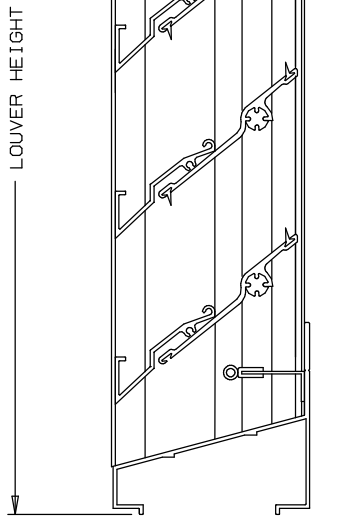
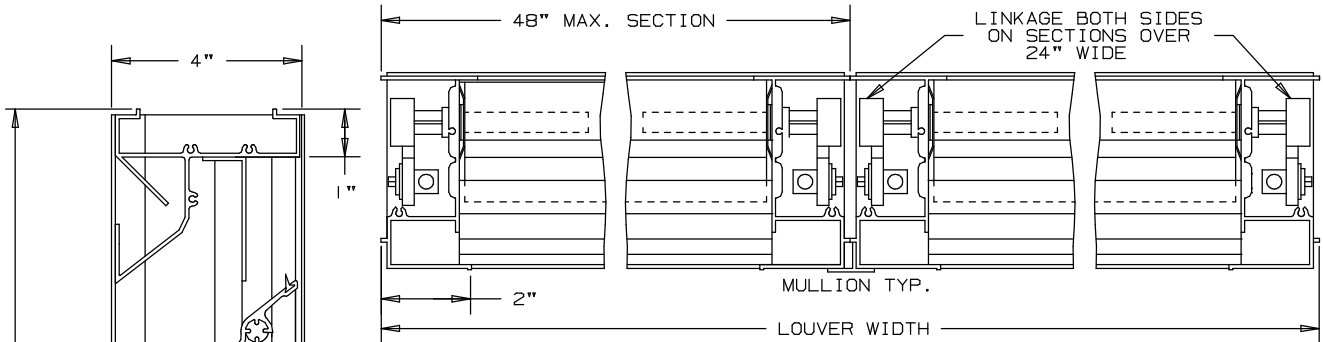
ARROW

EXTRUDED ALUMINUM LOUVERS
COMBINATION ADJUSTABLE AND STATIONARY DRAIN
4" DEEP

TYPE

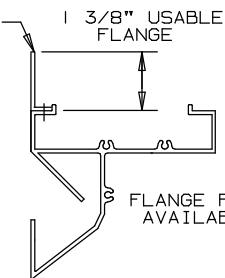
EA-480-D

DRAIN LOUVER - 35° STATIONARY BLADES



NOT TO SCALE

FLANGE FRAME
(AVAILABLE
FRONT FACE
ONLY)



FLANGE FRAME
AVAILABLE

- OPTIONAL
- OTHER SCREENS
 - ARCHITECTURAL FINISHES
 - ACTUATORS (ELECTRIC, PNEUMATIC, MANUAL, ETC.)

SPECIFICATIONS

BEARINGS: CELCON BEARING MATERIAL SO THAT THERE WILL BE NO METAL TO METAL FRICTION. OPERATING LINKAGE CONCEALED IN FRAME, OUT OF THE AIR STREAM.

FRAME AND STATIONARY BLADE: EXTRUDED ALUMINUM 6063-T6/T52 ALLOY, FRAME IS .080" THK., BLADE IS .080" THK. ON 3 1/2" CENTERS.

ADJUSTABLE BLADE: EXTRUDED ALUMINUM 6063-T6/T52 ALLOY, .125" THK.

FACE OF LOUVER: FULL WIDTH SILL WITH HEAD AND BLADES CONTAINED WITHIN THE JAMBS.

LINKAGE: EXTRUDED ALUMINUM, CONCEALED IN CHANNEL OUT OF AIRSTREAM. PIVOTS ARE .50" DIA. MACHINED STEEL, CADMIUM PLATED AND CHROMATE TREATED. PIVOTS ROTATE IN A CELCON BEARING, A .312" DIA. ALUMINUM LINKAGE ROD IS LOCKED TO THE PIVOT BY A 1/4"-20 SET SCREW WITH AN EPOXY LOCKING PATCH.

SHAFTS: .50" DIA. ALUMINUM "PIN-LOCK" ROD.

SEALS: EXTRUDED SILICONE RUBBER SEAL AT BLADE EDGE. STAINLESS STEEL AT JAMB.

SCREENS: WHEN INDICATED, IN A REMOVABLE FRAME.
BIRD SCREEN - 1/2" FLATTENED ALUMINUM, .051" THK.
OR - 1/2" SQ. MESH, INTERMEDIATE DOUBLE-CRIMPED ALUMINUM WIRE, .063 DIA.
OR - 18/16 MESH, .011" DIA. ALUMINUM WIRE, INSECT SCREEN.

FINISH: MILL.

LOUVER SIZES: 12" x 12" MINIMUM PANEL SIZE.
48" x 96" MAXIMUM PANEL SIZE.

LOUVER PERFORMANCE STATEMENT

LOUVER MODEL EA-480-D SHALL BE FABRICATED TO PROVIDE A MINIMUM OF (52%), 8.36 SQUARE FEET OF FREE AREA FOR A 48" x 48" SIZE LOUVER AND BEAR THE AMCA CERTIFIED RATINGS SEAL FOR AIR PERFORMANCE AND WATER PENETRATION. THE RATINGS SHALL SHOW A BEGINNING POINT OF WATER PENETRATION AT .01 OUNCES PER SQUARE FOOT OF FREE AREA AT A FREE AREA VELOCITY OF 994 FEET PER MINUTE, (8309) CUBIC FEET PER MINUTE. WITH A .14 INCHES WATER GAUGE PRESSURE DROP FOR AIR INTAKE.

FOR CERTIFIED RATINGS
AUTHORIZED BY AMCA
- SEE REVERSE SIDE

NOMINAL DEDUCTIONS WILL BE MADE TO THE OPENING SIZES GIVEN.

ITEM	QTY.	OPENING SIZE		LOUVER SIZE		MULL	TYPE	LOC	SCREENS
		WIDTH	HEIGHT	WIDTH	HEIGHT				



ARROW UNITED INDUSTRIES
A DIVISION OF MESTEK, INC.

314 RIVERSIDE DRIVE
WYALUSING, PA 18853

TEL: (570) 746-1888 FAX: (570) 746-9286

AGENT: _____

ARCH./ENG. : _____

CONTR. : _____

PROJECT : _____

EDR: _____ ECN: _____ JOB: _____

DATE: _____ DWN.: _____ DWG.: _____

LOUVER MODEL EA-480-D

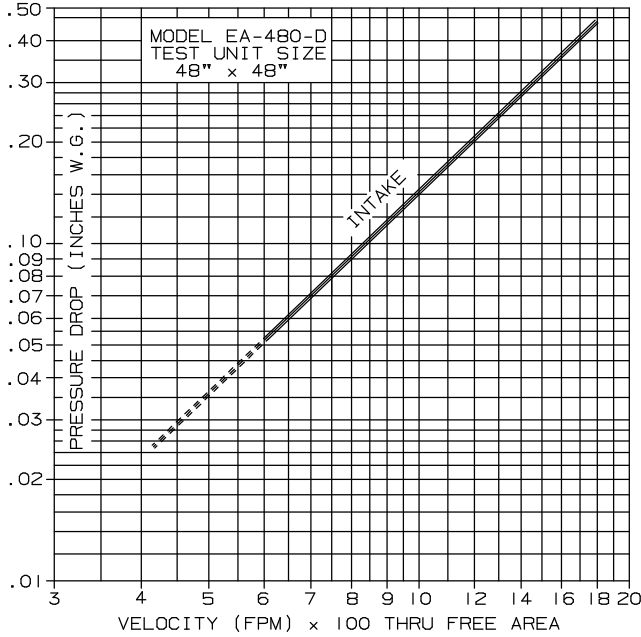
DRAIN LOUVERS

EXTRUDED ALUMINUM - COMBINATION ADJUSTABLE

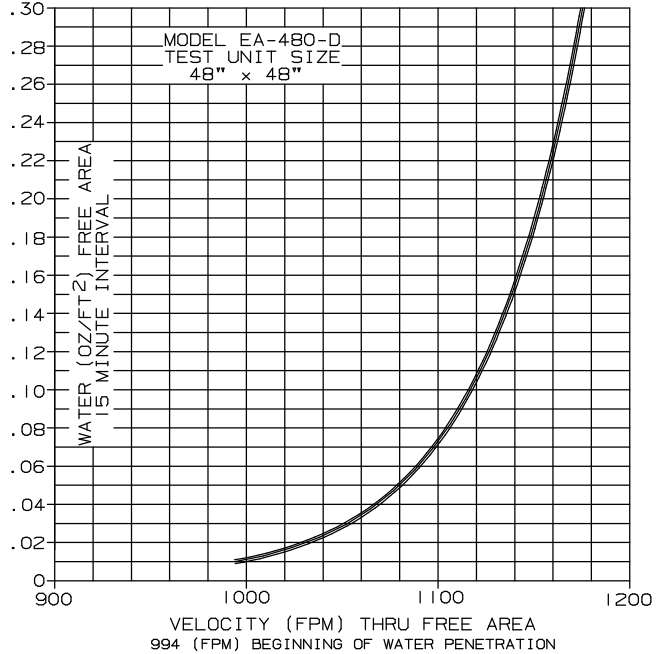
PERFORMANCE DATA

RATINGS DO NOT INCLUDE EFFECTS OF BIRDSCREEN.

PRESSURE DROP



WATER PENETRATION

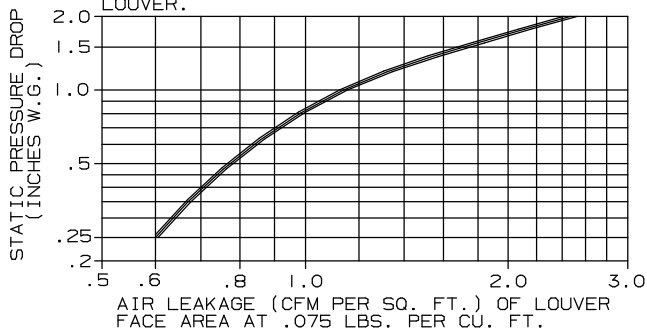


FREE AREA

HEIGHT	FREE AREA (SQ. FT.)						
	WIDTH						
	12"	18"	24"	30"	36"	42"	48"
12"	.18	.32	.46	.60	.74	.88	1.02
24"	.59	1.03	1.48	1.92	2.36	2.81	3.25
36"	1.00	1.75	2.49	3.24	3.99	4.74	5.49
48"	1.52	2.67	3.81	4.95	6.09	7.23	8.36
60"	1.90	3.32	4.74	6.16	7.58	9.00	10.42
72"	2.39	4.19	5.98	7.78	9.57	11.37	13.16
84"	2.79	4.89	6.98	9.08	11.17	13.27	15.36
96"	3.26	5.71	8.16	10.61	13.05	15.50	17.95

AIR LEAKAGE (LOUVER INSTALLATION POSITION, INTAKE) IS PER AMCA STANDARD 500 PROCEDURE FIG. 5.5.

AIR LEAKAGE WITH ADJUSTABLE BLADE IN CLOSED POSITION WITH A SEATING TORQUE OF 6.25 IN.LB./SQ. FT. OF LOUVER FACE AREA. LEAKAGE IS BASED ON A TEST OF A 48" x 48" LOUVER.



ARROW UNITED INDUSTRIES CERTIFIES THAT THE MODEL EA-480-D LOUVER SHOWN HEREIN IS LICENSED TO BEAR THE AMCA SEAL. THE RATINGS SHOWN ARE BASED ON TESTS AND PROCEDURES PERFORMED IN ACCORDANCE WITH AMCA PUBLICATION 511 AND COMPLY WITH THE REQUIREMENTS OF THE AMCA CERTIFIED RATINGS PROGRAM.

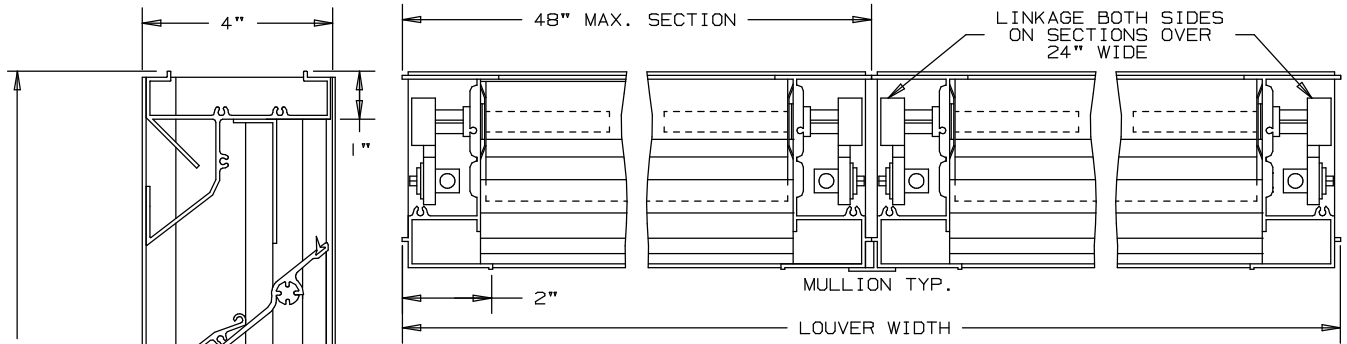
THE AMCA CERTIFIED RATINGS SEAL APPLIES TO AIR PERFORMANCE RATINGS AND WATER PENETRATION RATINGS.

ARROW

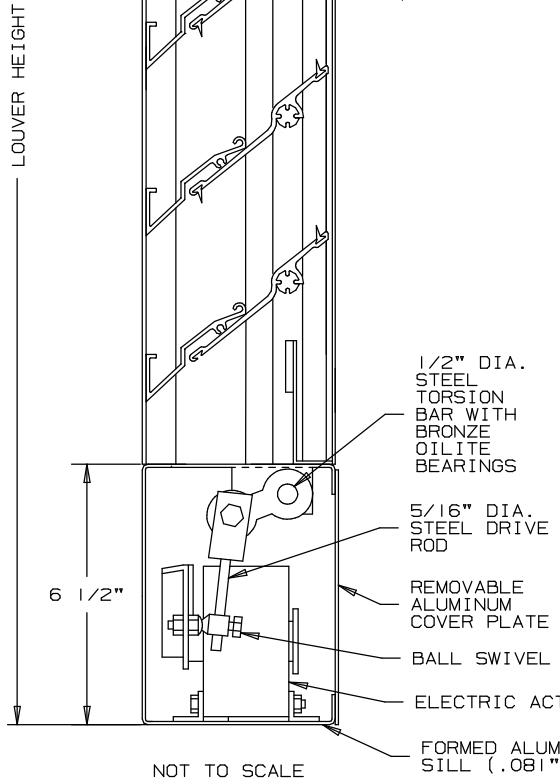
EXTRUDED ALUMINUM LOUVERS
COMBINATION ADJUSTABLE AND
STATIONARY DRAIN, 4" DEEP

TYPE EA-480-D-M

DRAIN LOUVER - 35° STATIONARY BLADE - CONCEALED ACTUATOR



SPECIFICATIONS
 BEARINGS: CELCON BEARING MATERIAL SO THAT THERE WILL BE NO METAL TO METAL FRICTION, OPERATING LINKAGE CONCEALED IN FRAME, OUT OF THE AIR STREAM.
 FRAME AND STATIONARY BLADE: EXTRUDED ALUMINUM 6063-T6/T52 ALLOY, FRAME IS .080" THK., BLADE IS .080" THK. ON 3 1/2" CENTERS.
 ADJUSTABLE BLADE: EXTRUDED ALUMINUM 6063-T6/T52 ALLOY, .125" THK.
 FACE OF LOUVER: FULL WIDTH SILL WITH HEAD AND BLADES CONTAINED WITHIN THE JAMBS.
 LINKAGE: EXTRUDED ALUMINUM, CONCEALED IN CHANNEL OUT OF AIRSTREAM. PIVOTS ARE .50" DIA. MACHINED STEEL, CADMIUM PLATED AND CHROMATE TREATED. PIVOTS ROTATE IN A CELCON BEARING. A .312" DIA. ALUMINUM LINKAGE ROD IS LOCKED TO THE PIVOT BY A 1/4"-20 SET SCREW WITH AN EPOXY LOCKING PATCH.
 SHAFTS: .50" DIA. ALUMINUM "PIN-LOCK" ROD.
 SEALS: EXTRUDED SILICONE RUBBER SEAL AT BLADE EDGE. STAINLESS STEEL AT JAMB.
 SCREENS: WHEN INDICATED, IN A REMOVABLE FRAME.
 BIRD SCREEN - 1/2" FLATTENED ALUMINUM, .051" THK. OR - 1/2" SQ. MESH, INTERMEDIATE DOUBLE-CRIMPED ALUMINUM WIRE, .063 DIA. OR - 18/16 MESH, .011" DIA. ALUMINUM WIRE, INSECT SCREEN.
 FINISH: MILL.
 ACTUATOR: 120 VAC, SPRING RETURN NORMALLY CLOSED 133 IN.-LBS. TORQUE
 LOUVER SIZES: 12" x 16" MINIMUM PANEL SIZE. 48" x 96" MAXIMUM PANEL SIZE.



OPTIONAL
 • OTHER SCREENS
 • ARCHITECTURAL FINISHES

NOMINAL DEDUCTIONS WILL BE MADE TO THE OPENING SIZES GIVEN.

ITEM	QTY.	OPENING SIZE		LOUVER SIZE		MULL	TYPE	LOC	SCREENS
		WIDTH	HEIGHT	WIDTH	HEIGHT				



ARROW UNITED INDUSTRIES
 A DIVISION OF MESTEK, INC.
 314 RIVERSIDE DRIVE
 WYALUSING, PA 18853
 TEL: (570) 746-1888 FAX: (570) 746-9286
 AGENT: _____

ARCH./ENG. :
 CONTR. :
 PROJECT :
 EDR: ECN: JOB:
 DATE: DWN.: DWG. :