

INSTALLATION, MAINTENANCE, & OPERATING MANUAL FOR 4" & 6" STATIONARY LOUVERS

RECEIVING / INSPECTION:

INSPECT SHIPPING CRATES/CARTONS CLOSELY. IF SHIPPING CRATES/CARTONS ARE DAMAGED, CONTENTS MAY ALSO BE DAMAGED. NOTE ANY VISIBLE DAMAGE ON THE TRUCKERS RECEIPT. CONTACT THE FREIGHT COMPANY WITHIN 24 HOURS FOR A REPRESENTATIVE TO INSPECT THE DAMAGE.

STORAGE:

STORE CRATE/CARTONS IN A SAFE LOCATION AWAY FROM CONSTRUCTION TRAFFIC. COVER WITH A TARP OR WATERPROOF COVER TO PROTECT FROM MOISTURE, DIRT, AND DEBRIS. ARROW RECOMMENDS LEAVING THE PRODUCTS IN THEIR CONTAINERS UNTIL READY TO INSTALL.

INSTALLATION:

INSPECT FOR DAMAGE AND CORROSION BEFORE INSTALLATION. HANDLE LOUVERS BY THE FRAME TO ENSURE THE LOUVER WILL NOT BECOME RACKED OR TWISTED. DO NOT LIFT LOUVER BY THE BLADES, OR USE BLADES AS A LADDER. USE SUFFICIENT SUPPORT TO EVENLY LIFT EACH LOUVER AND LOUVER SECTION. DO NOT DROP, DRAG, STEP ON, OR APPLY EXCESSIVE BENDING OR TWISTING FORCE WHEN HANDLING LOUVERS. INSTALL LOUVER WITH RESPECT TO BLADE ORIENTATION AND AIRFLOW. LOUVERS MUST BE INSTALLED SQUARE AND PLUMB. AFTER LOUVER INSTALLATION SEAL, CAULK THE GAP BETWEEN THE OPENING SUBSTRATE AND PERIMETER LOUVER FRAME.

LOUVER MAINTENANCE:

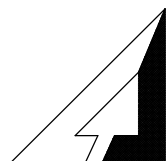
INSPECT FOR AND REMOVE ANY FOREIGN MATTER THAT MAY HAVE ACCUMULATED ON BLADE, FRAME, SCREEN OR OTHER SURFACE, WHICH WILL CAUSE INTERFERENCE WITH THE MOVEMENT OR RESISTANCE OF AIRFLOW.

LOUVER FINISH CLEANING:

LOUVERS WITH A FINISH APPLIED TO IT'S SURFACE THAT REQUIRES CLEANING DO NOT USE ANY TOOLS, OR BRUSHES THAT WILL ABRASE THE COATING SURFACE. DO NOT USE HARSH CHEMICAL CLEANING SOLUTIONS AS AROMATIC, CHLORINATED, KEYTONES, ESTERS, THINNERS, AND PAINT REMOVER ON LOUVER FINISH. INSTEAD, USE WATER WITH A 5% SOLUTION OF A COMMERCIAL DETERGENT WITH A CLOTH FOR THE CLEANING APPLICATION FOLLOWED BY AN ADEQUATE RINSE OF CLEAN WATER AND DRY THE FINISH WITH A SOFT CLOTH. USE SOLVENT AS MINERAL SPIRITS, TO REMOVE NON-WATER SOLUBLE DEPOSITS AS TAR, GREASE, OIL, ETC. FROM THE LOUVER FINISH.

WARRANTY:

MISUSE OR ABUSE OF THE CLEANING MATERIALS LISTED ABOVE WILL RESULT IN VOIDING THE WARRANTY FOR THE SURFACE AREA AFFECTED.



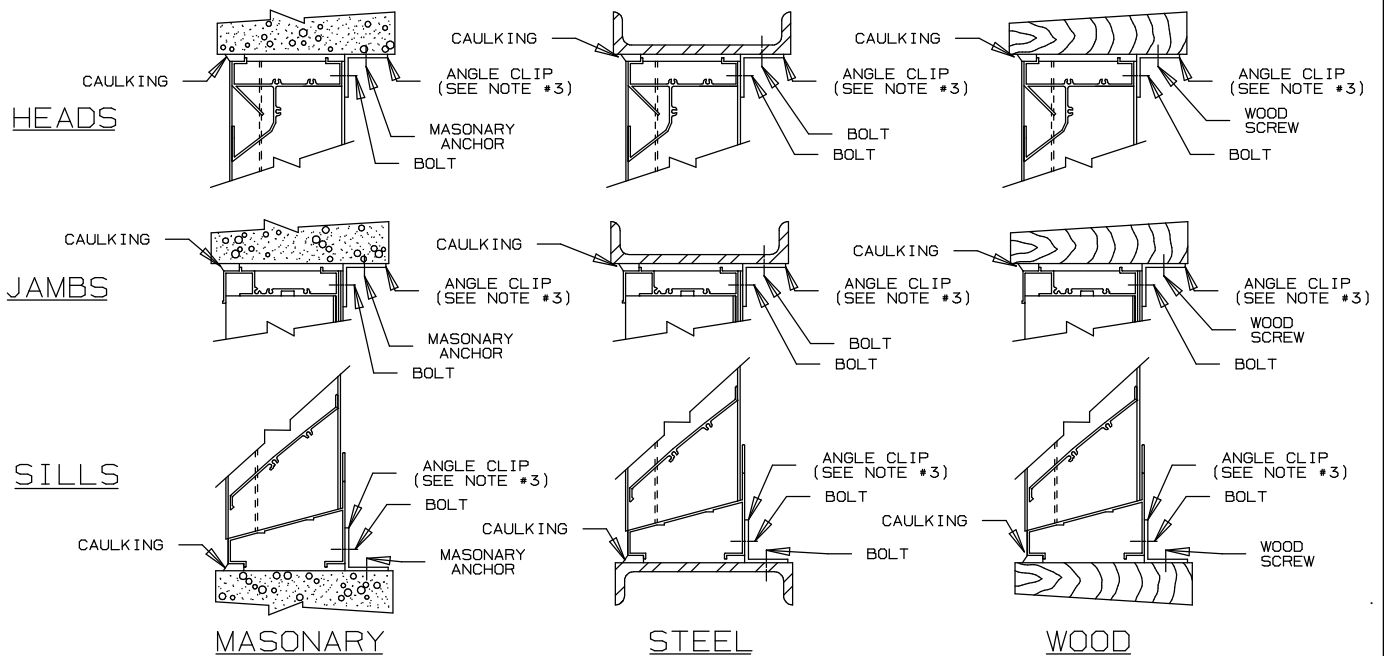
ARROW UNITED INDUSTRIES
A DIVISION OF MESTEK, INC.

314 RIVERSIDE DRIVE
WYALUSING, PA 18853

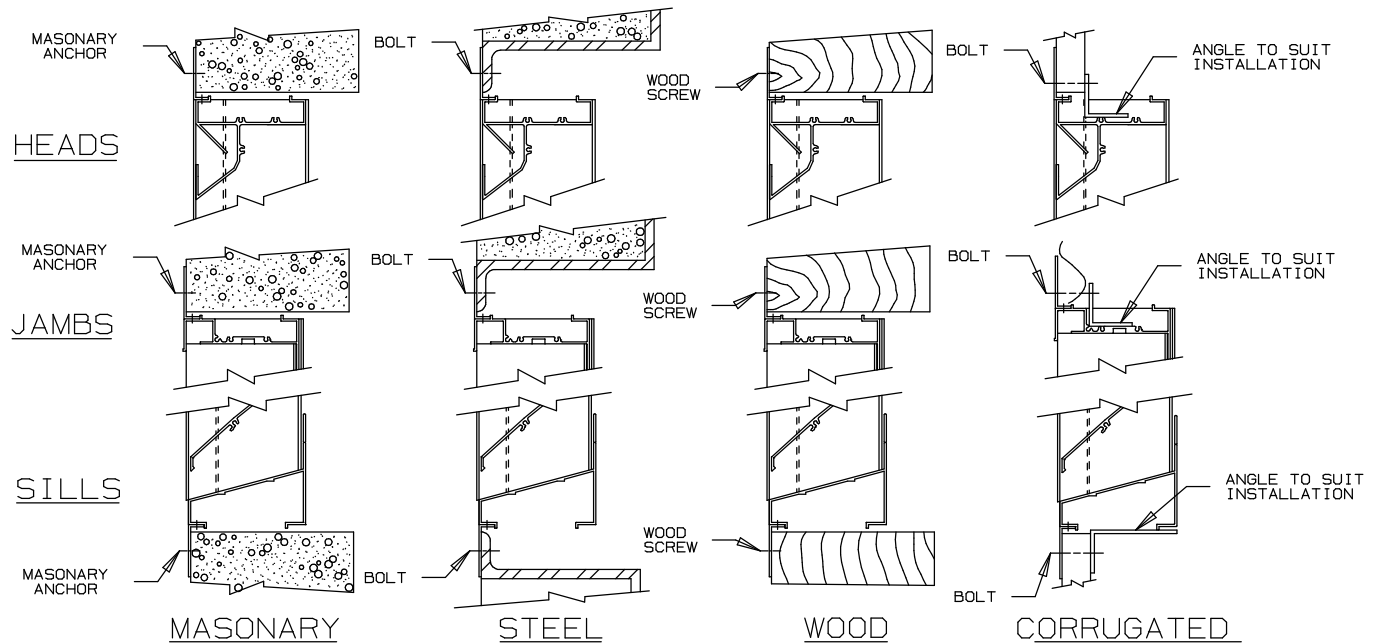
TEL: (570) 746-1888 FAX: (570) 746-9286
WEB ADDRESS: WWW.ARROWUNITED.COM

STANDARD INSTALLATION METHODS

STANDARD CHANNEL FRAME

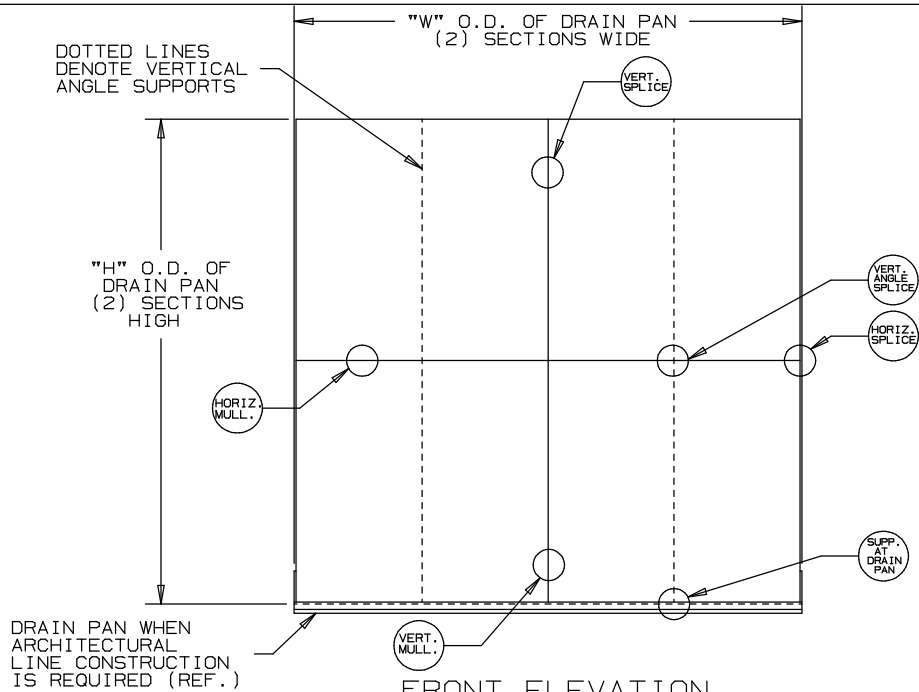


STANDARD FLANGE FRAME



INSTALLATION NOTES:

- 1) LOUVER WIDTH AND HEIGHT DIMENSIONS ARE NORMALLY UNDERSIZED TO ALLOW FOR INSTALLATION INTO THEIR OPENINGS. ARROW STANDARD UNDERSIZE IS 1/2" FROM THE GIVEN OPENING SIZE. OTHER DEDUCTIONS AVAILABLE BY REQUEST.
- 2) THE DETAILS SHOWN HERE ARE ONLY GENERAL MOUNTING ARRANGEMENTS AND COVER MOST INSTALLATION CONDITIONS FOR LOUVER WALL OPENINGS FOR SINGLE LOUVER SECTION. MULTIPLE LOUVER SECTIONS IN WIDTH AND/OR HEIGHT MAY REQUIRE STRUCTURAL SUPPORTS AT THE INTERIOR SIDE OF THE LOUVER SURFACE. STRUCTURAL SUPPORTS, CLIP ANGLES, MOUNTING FASTENERS, SEALANT, SHIMS, ETC. ARE TO BE FURNISHED AND INSTALLED BY OTHERS, NOT BY ARROW.
- 3) THE RECOMMENDED MINIMUM MOUNTING OF LOUVERS INTO THEIR OPENINGS IS A 1 1/2" x 1 1/2" x 1/8" CONTINUOUS OR CLIP ANGLE AT THE INTERIOR SIDE OF THE LOUVER FRAME WITH 1/4" DIAMETER FASTENERS ON 18" CENTERS AROUND THE LOUVER FRAME PERIMETER. ONE FASTENER IN EACH ANGLE LEG.
- 4) LOCAL BUILDING CODES MAY VARY THE INSTALLATION FROM THE CONDITIONS DESCRIBED ABOVE AND IS SUGGESTED THAT THEY BE FOLLOWED OVER OURS WHEN AND WHERE REQUIRED.

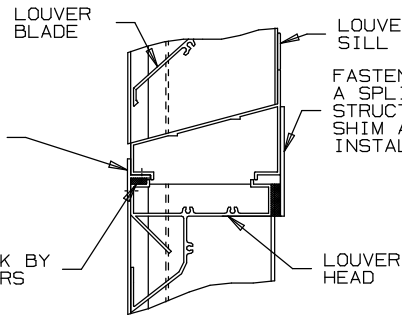


FRONT ELEVATION

HORIZONTAL AND VERTICAL SPLICE WITH VERTICAL SUPPORT ANGLES
TWO SECTIONS WIDE BY TWO SECTIONS HIGH

ALUMINUM TEE-BAR MULLION COVER - MECH. FASTENED TO UPPER LOUVER SECTION AT THE FACTORY. CAULK AND WATERPROOF EACH CAULK STOP BEFORE THE LOWER LOUVER SECTION IS ATTACHED TO THE TEE-BAR COVER BY INSTALLER.

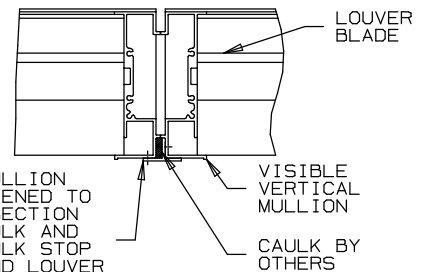
CAULK BY OTHERS



**VISIBLE HORIZONTAL MULLION
DETAIL**

FASTEN SECTIONS USING A SPLICE PLATE OR STRUCTURAL SUPPORT AND SHIM AS NECESSARY BY INSTALLER.

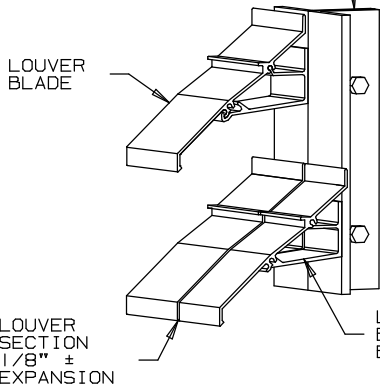
ALUMINUM TEE-BAR MULLION COVER IS MECH. FASTENED TO RIGHT HAND LOUVER SECTION AT THE FACTORY. CAULK AND WATERPROOF EACH CAULK STOP BEFORE THE LEFT HAND LOUVER SECTION IS ATTACHED TO THE TEE-BAR COVER BY INSTALLER.



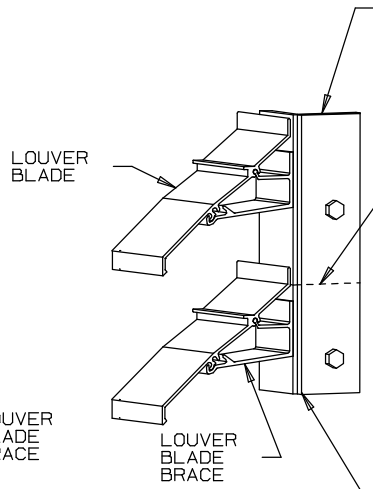
**VISIBLE VERTICAL MULLION
DETAIL**

CONTINUOUS LINE VERTICAL ALUMINUM 2"x2"x1/4" THK. SUPPORT ANGLES, MECH. FASTENED TOGETHER WITH 5/16-NC x 1 1/2" LG. BOLTS, LK. WASHERS & NUTS FURNISHED BY ARROW UNITED INDUSTRIES.

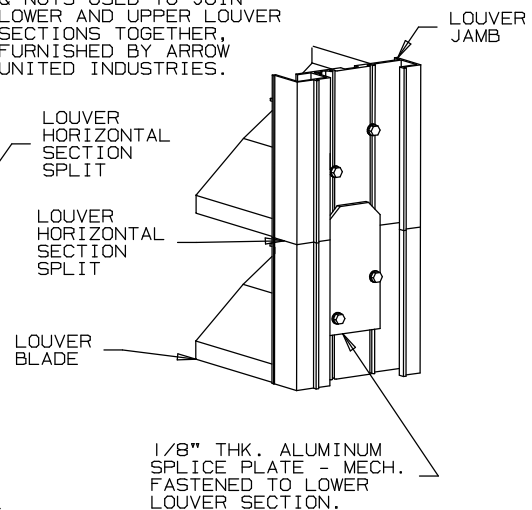
ALUMINUM SPLICE BAR 2" WIDE x 1/4" THK. MECH. FASTENED TO SUPPORT ANGLES WITH 5/16-NC x 1 1/2" LG. BOLTS, LK. WASHERS, & NUTS USED TO JOIN LOWER AND UPPER LOUVER SECTIONS TOGETHER, FURNISHED BY ARROW UNITED INDUSTRIES.



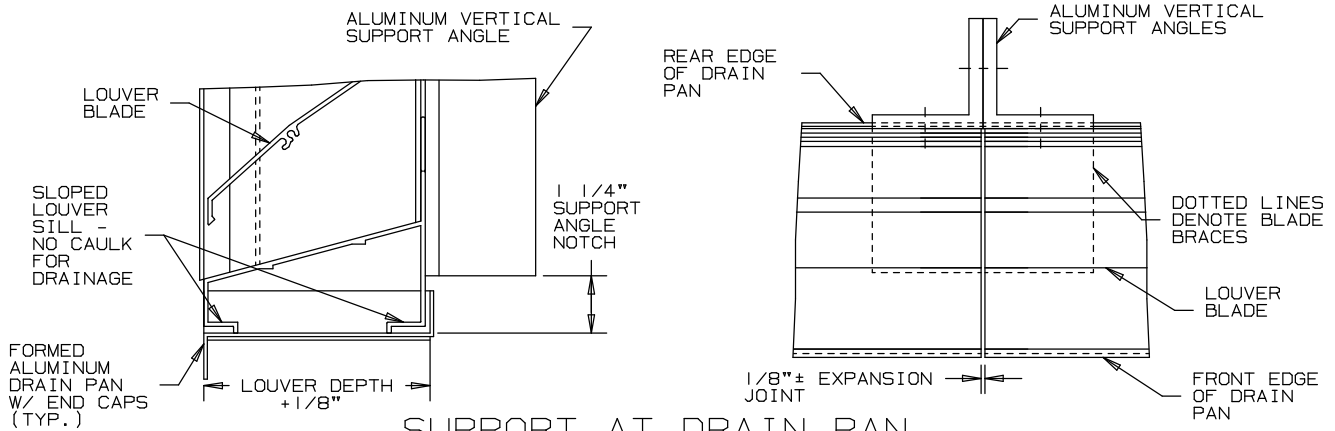
**VERTICAL SPLICE
DETAIL**



**VERTICAL ANGLE SPLICE
DETAIL**



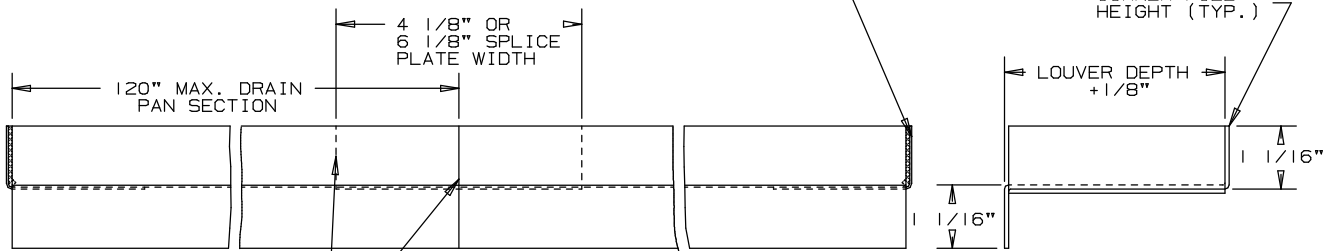
**HORIZONTAL SPLICE
DETAIL**



**SUPPORT AT DRAIN PAN
DETAIL**

FOR USE WITH ARCHITECTURAL
CONTINUOUS LINE CONSTRUCTION
MULTI-SECTIONS IN WIDTH

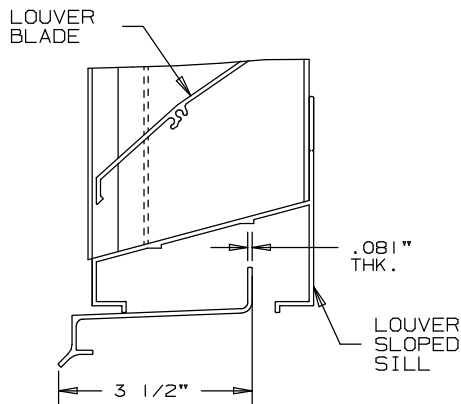
SUPPLIED BY ARROW AND SHIPPED LOOSE.
ASSEMBLE DRAIN PAN END CAPS (1)
REQUIRED AT EACH END OF PAN, MECH.
FAST. AND FULLY CAULK AND WATERPROOF
IN THE FIELD BY OTHERS (TYP.)



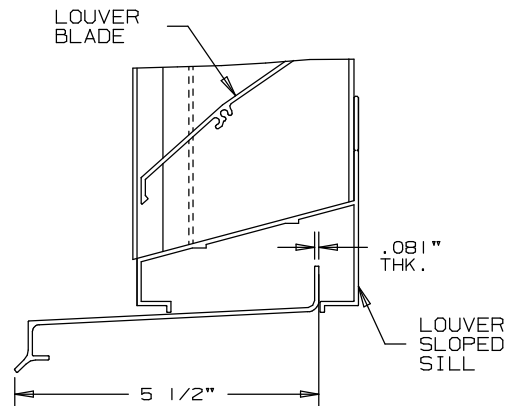
FORMED DRAIN PAN DETAIL

MATERIAL - .032" THK. ALUMINUM

SUPPLIED BY ARROW
AND SHIPPED LOOSE.
ASSEMBLE DRAIN PAN END
CAPS USED AS SPLICE
PLATE. MECH. FAST.
AND FULLY CAULK
AND WATERPROOF IN THE
FIELD BY OTHERS
(TYP.)



PART NUMBER: #11-2090



PART NUMBER: #11-2091

EXTENDED SILL DETAILS

MATERIAL - 6063-T52\T6 EXTRUDED ALUMINUM