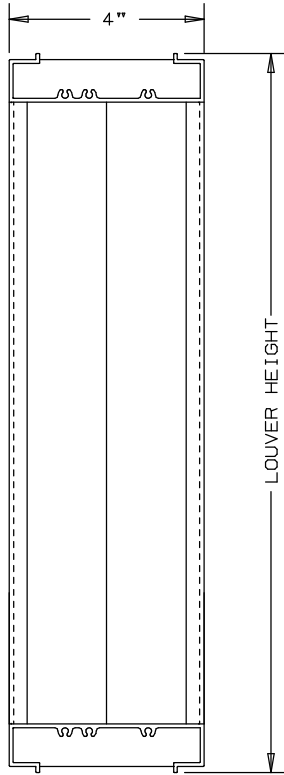


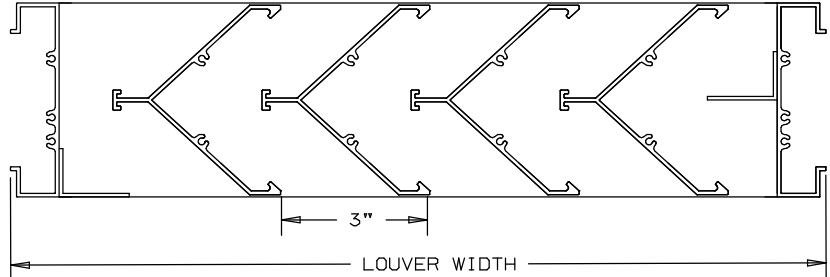
ARROW EXTRUDED ALUMINUM LOUVERS 4" DEEP

TYPE Y-28

VERTICAL LOUVERS - SIGHTPROOF



NOT TO SCALE



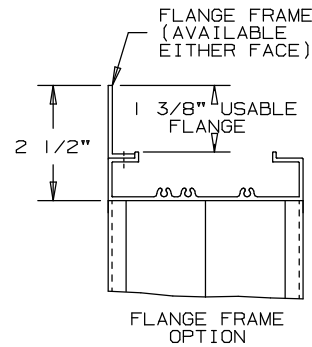
SPECIFICATIONS

MATERIAL: EXTRUDED ALUMINUM 6063-T6/T52 ALLOY
.081" THK.

FACE OF LOUVER: ALL SURFACES ARE FLUSH. WITH JAMBS
CONTAINED WITHIN THE HEAD AND SILL.

SCREEN: (WHEN INDICATED)
BIRD SCREEN - 1/2" FLATTENED ALUMINUM, .051" THK.
OR - 1/2" SQ. MESH INTERMEDIATE DOUBLE-
CRIMPED ALUMINUM WIRE, .063" DIA.
OR - 18/16 MESH, .011" DIA. ALUMINUM
WIRE INSECT SCREEN.

FINISH: _____



NOMINAL DEDUCTIONS WILL BE MADE TO OPENING SIZES GIVEN.

ITEM	QTY.	OPENING SIZE		LOUVER SIZE		MULL	TYPE LOC		SCREENS	UNION MADE
		WIDTH	HEIGHT	WIDTH	HEIGHT		TYPE	LOC		



ARROW UNITED INDUSTRIES
A DIVISION OF MESTEK, INC.
314 RIVERSIDE DRIVE
WYALUSING, PA 18853
TEL: (570) 746-1888 FAX: (570) 746-9286

AGENT: _____

ARCH./ENG. : _____
CONTR. : _____
PROJECT : _____
EDR: _____ ECN: _____ JOB: _____
DATE: _____ DWN. : _____ DWG. : _____

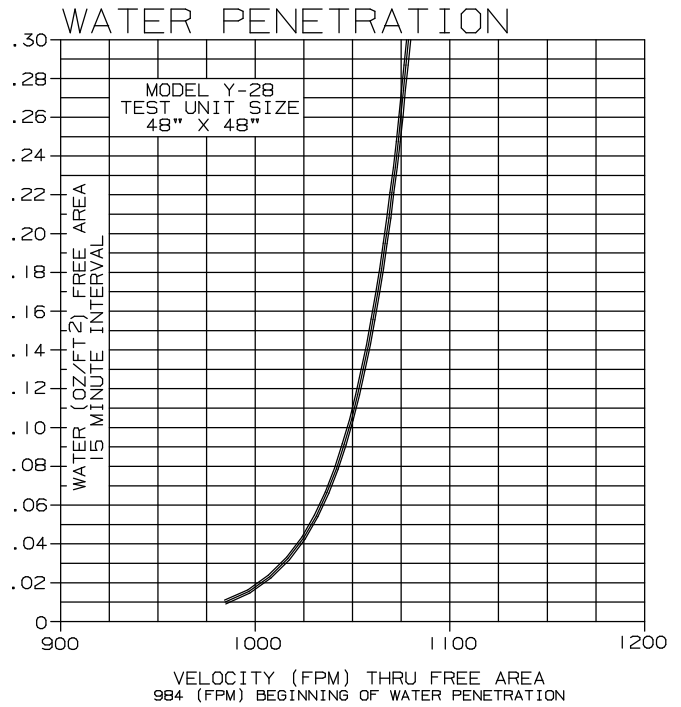
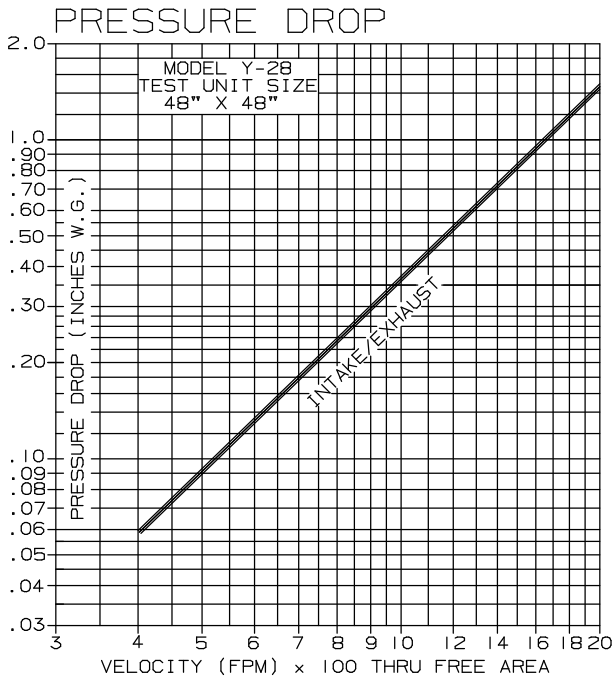
LOUVER MODEL Y-28

VERTICAL BLADE

EXTRUDED ALUMINUM - STATIONARY

PERFORMANCE DATA

RATINGS DO NOT INCLUDE THE EFFECT OF BIRDSCREEN.



FREE AREA

		FREE AREA (SQ. FT.)								
		WIDTH								
HEIGHT		12"	18"	24"	30"	36"	42"	48"	54"	60"
		12"	.26	.39	.52	.65	.77	.90	1.03	1.16
24"	.67	1.01	1.34	1.68	2.01	2.35	2.68	3.02	3.35	
36"	1.08	1.62	2.17	2.71	3.25	3.79	4.33	4.87	5.41	
48"	1.50	2.24	2.99	3.74	4.49	5.23	5.98	6.73	7.48	
60"	1.91	2.86	3.81	4.77	5.72	6.68	7.63	8.58	9.54	
72"	2.32	3.48	4.64	5.80	6.96	8.12	9.28	10.44	11.60	
84"	2.73	4.10	5.46	6.83	8.20	9.56	10.93	12.29	13.66	
96"	3.14	4.72	6.29	7.86	9.43	11.00	12.58	14.15	15.72	