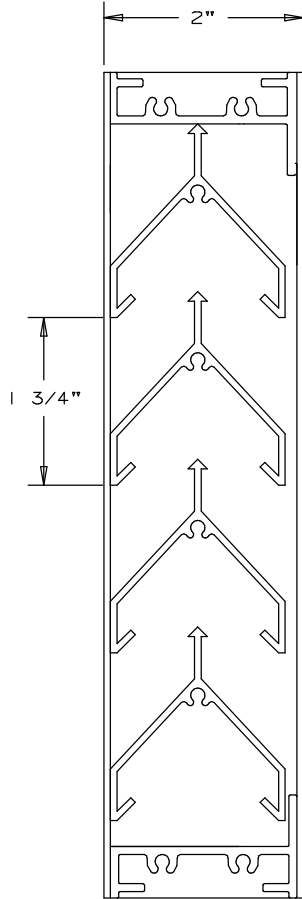


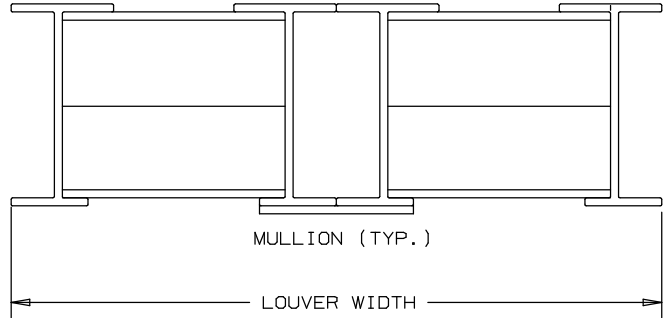
# ARROW EXTRUDED ALUMINUM LOUVERS 2" DEEP

# TYPE Y-45

## NARROW DEPTH SIGHTPROOF LOUVERS



NOT TO SCALE



MULLION (TYP.)

LOUVER WIDTH

### SPECIFICATIONS

MATERIAL: EXTRUDED ALUMINUM 6063-T6/T52 ALLOY  
FRAME -.081" THK., BLADES -.064" THK.

FACE OF LOUVER: FULL JAMB SECTION WITH BLADES,  
HEAD, AND SILL CONTAINED WITHIN.

SCREEN: (WHEN INDICATED)  
BIRD SCREEN - 1/2" FLATTENED ALUMINUM, .051" THK.  
OR - 1/2" SQ. MESH INTERMEDIATE DOUBLE-  
CRIMPED ALUMINUM WIRE, .063" DIA.  
OR - 18/16 MESH, .011" DIA. ALUMINUM  
WIRE INSECT SCREEN.

FINISH: \_\_\_\_\_

NOMINAL DEDUCTIONS WILL BE MADE TO OPENING SIZES GIVEN.

ITEM	QTY.	WIDTH	HEIGHT	WIDTH	HEIGHT	MULL	TYPE	LOC	UNION MADE
		OPENING SIZE		LOUVER SIZE			SCREENS		



**ARROW UNITED INDUSTRIES**  
A DIVISION OF MESTEK, INC.  
314 RIVERSIDE DRIVE  
WYALUSING, PA 18853  
TEL: (570) 746-1888 FAX: (570) 746-9286

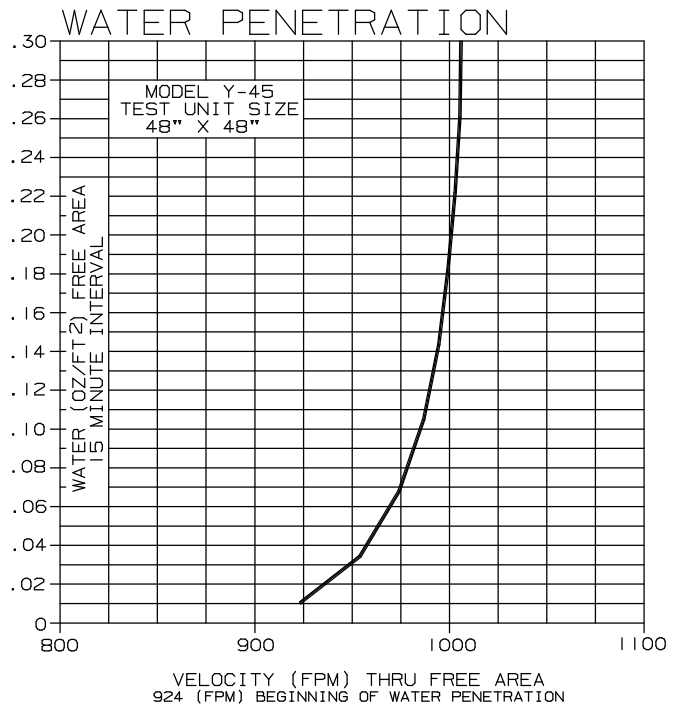
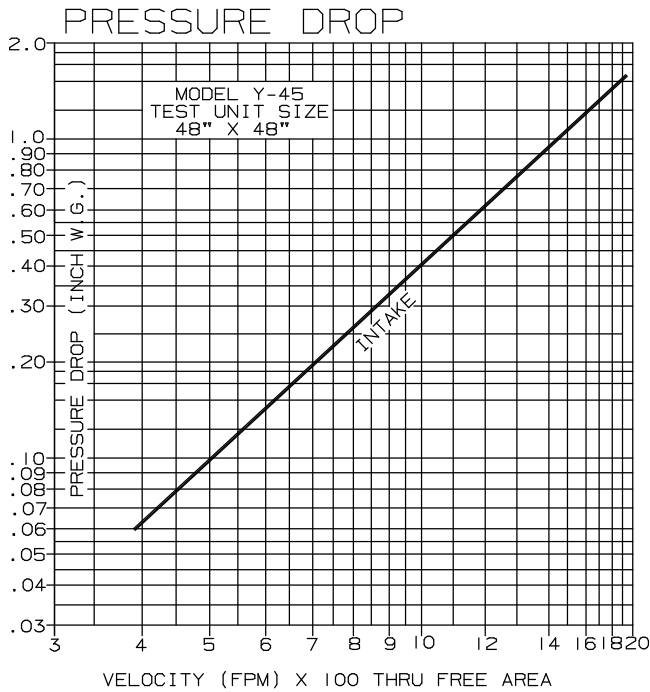
AGENT: \_\_\_\_\_

ARCH./ENG. : \_\_\_\_\_  
CONTR. : \_\_\_\_\_  
PROJECT : \_\_\_\_\_  
EDR: \_\_\_\_\_ ECN: \_\_\_\_\_ JOB: \_\_\_\_\_  
DATE: \_\_\_\_\_ DWN. : \_\_\_\_\_ DWG. : \_\_\_\_\_

# LOUVER MODEL Y-45 NARROW DEPTH - SIGHTPROOF EXTRUDED ALUMINUM - STATIONARY

## PERFORMANCE DATA

RATINGS DO NOT INCLUDE THE EFFECT OF BIRDSCREEN.



## FREE AREA

		FREE AREA (SQ. FT.)								
		WIDTH								
HEIGHT		12"	18"	24"	30"	36"	42"	48"	54"	60"
		12"		.26	.42	.57	.73	.88	1.04	1.20
24"		.50	.80	1.10	1.40	1.70	2.00	2.30	2.60	2.90
36"		.74	1.18	1.63	2.07	2.52	2.96	3.70	3.85	4.29
48"		.98	1.57	2.16	2.74	3.33	3.92	4.43	5.10	5.68
60"		1.22	1.95	2.68	3.42	4.15	4.88	5.61	6.34	7.08
72"		1.46	2.34	3.21	4.09	4.96	5.84	6.72	7.59	8.47
84"		1.70	2.72	3.74	4.76	5.78	6.80	7.82	8.84	9.86
96"		2.02	3.24	4.45	5.67	6.88	8.10	9.31	10.53	11.74