

FIRE/SEAL® UL-CLASSIFIED 1-1/2 HR. STATIC RATED FIRE DAMPER

Arrow's Narrow-Frame Model 117F facilitates installation behind or between grilles and registers in narrow fire-rated partitions.

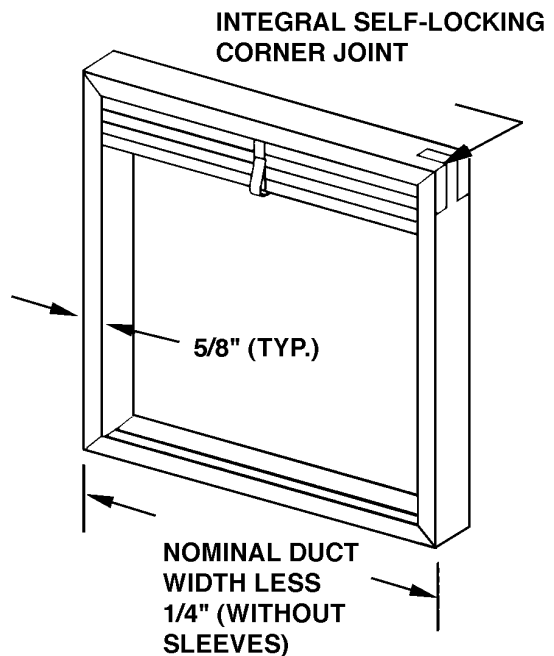
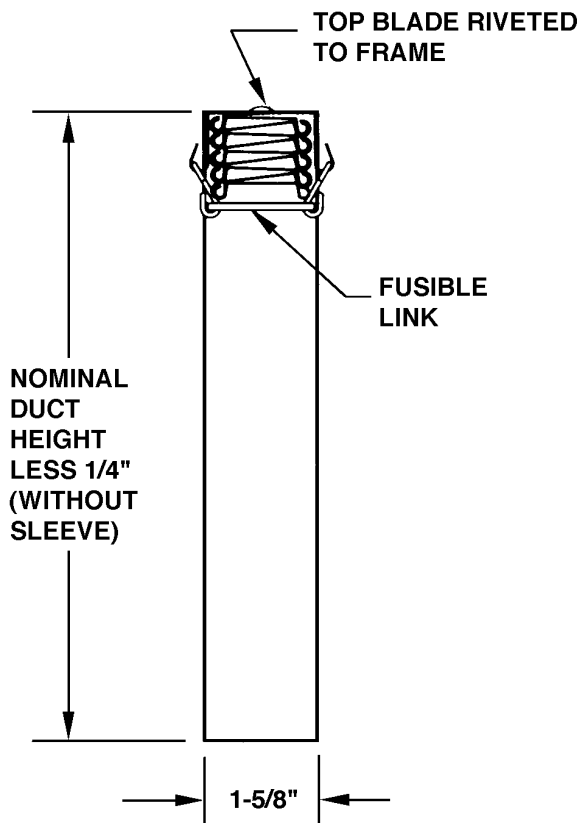
MODEL 117F
NARROW-FRAME [1-5/8" DEEP]
VERTICAL MOUNT ONLY

Classified by Underwriters Laboratories as a 1-1/2 hour fire protection rated Fire Damper, in accordance with Standards UL-555 and NFPA-90A, for the protection of openings in fire partitions having a fire resistance rating of less than 3 hours.

UNDERWRITER'S LABORATORIES, INC.
CLASSIFIED
FIRE DAMPERS
FIRE RESISTANCE RATING 1-1/2 HR.
SEE U.L. CLASSIFIED BUILDING MATERIALS INDEX

Arrow United Industries

California State Fire Marshal Listing No.
3225-1328:100



STANDARD MATERIALS & CONSTRUCTION:

FRAME: One-piece rollformed 22 Ga. galvanized steel.

BLADES: 22 Ga. galvanized steel curtain-type.

FUSIBLE LINK: UL-listed 165°F; replaceable (Optional 212°F available at no additional charge).

DIMENSIONAL DATA:

MINIMUM SIZE: 4"W X 4"H.

MAXIMUM SIZE:

Single Panel: 40"W x 40"H.

Multiple Panel: Not available.

PROJECT:

LOCATION:

ARCHITECT

ENGINEER:

CONTRACTOR:

PO NUMBER:

DATE:

*Additional Information
on reverse side*



Arrow United Industries
A Division of Mestek, Inc.
314 Riverside Drive • Wyalusing, PA 18853
Ph: (570)-746-1888 Fax: (570)-746-9286
www.arrowunited.com

ARROW UNITED INDUSTRIES SUBMITTAL DATA

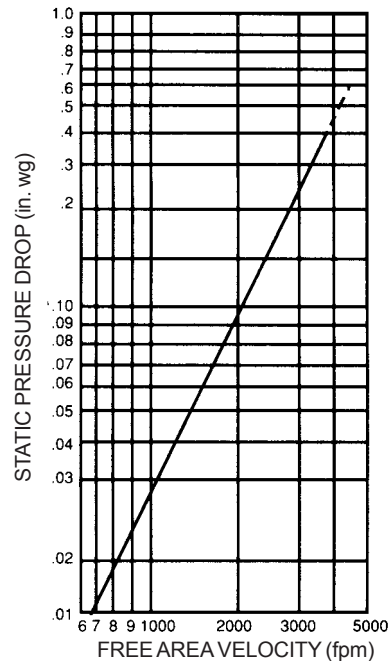
FIRE/SEAL® UL-CLASSIFIED
1-1/2 HR. STATIC RATED FIRE DAMPER

MODEL 117F

FREE AREA (sq. ft.)
Duct Width (in.)

DUCT HEIGHT (in.)	FREE AREA (sq. ft.) Duct Width (in.)									
	4"	8"	12"	16"	20"	24"	28"	32"	36"	40"
4"	.03	.08	.1	.2	.2	.3	.3	.4	.4	.5
8"	.1	.2	.4	.5	.6	.8	.9	1.0	1.2	1.3
12"	.2	.4	.6	.8	1.1	1.3	1.5	1.8	2.0	2.2
16"	.2	.5	.8	1.2	1.5	1.8	2.1	2.4	2.7	3.1
20"	.3	.7	1.1	1.5	1.9	2.3	2.8	3.2	3.6	4.0
24"	.3	.8	1.3	1.8	2.3	2.8	3.3	3.8	4.3	4.8
28"	.4	1.0	1.6	2.2	2.8	3.5	4.1	4.7	5.3	5.9
32"	.4	1.1	1.8	2.5	3.2	3.9	4.5	5.2	5.9	6.6
36"	.5	1.3	2.1	2.8	3.6	4.4	5.2	6.0	6.8	7.5
40"	.5	1.4	2.3	3.2	4.0	4.9	5.8	6.6	7.5	8.4

$$\text{FREE AREA VELOCITY [FPM]} = \frac{\text{FLOW (cfm)}}{\text{FREE AREA (sq. ft.)}}$$



AVAILABLE OPTIONS:

1. Factory-supplied sleeves (20 Ga. through 10 Ga.).
2. 212°F fusible link

IN THE INTEREST OF PRODUCT DEVELOPMENT, ARROW UNITED
RESERVES THE RIGHT TO MAKE CHANGES WITHOUT NOTICE.



Arrow United Industries
A Division of Mestek, Inc.
314 Riverside Drive • Wyalusing, PA 18853
Ph: (570)-746-1888 Fax: (570)-746-9286
www.arrowunited.com