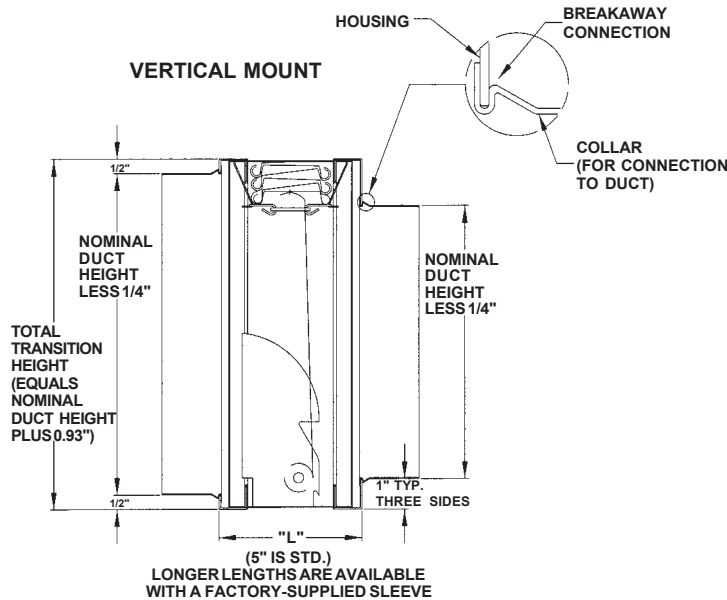


FIRE/SEAL® UL-CLASSIFIED 1 1/2-HR. DYNAMIC RATED FIRE DAMPER

RECTANGULAR, ROUND, & OVAL

MODEL D17C
Vertical & Horizontal Mount

Classified by Underwriters Laboratories as a 1 1/2-hour fire protection rated Fire Damper, FOR USE IN DYNAMIC SYSTEMS, in accordance with Standards UL-555 and NFPA-90A, for the protection of openings in fire partitions having a fire resistance rating of less than 3 hours.



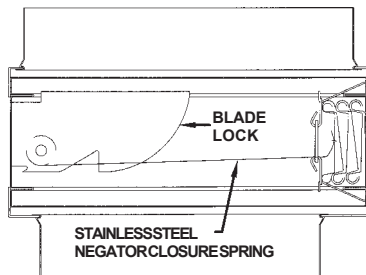
UNDERWRITER'S LABORATORIES, INC.
CLASSIFIED
FIRE DAMPERS
FIRE RESISTANCE RATING 1-1/2 HR.
SEE U.L. CLASSIFIED BUILDING MATERIALS INDEX

Arrow United Industries

California State Fire Marshal
Listing No. 3225-1328:100

IMPORTANT
FOR ROUND DUCT DIAMETERS UP TO 31", FOR OVAL DUCT SIZES UP TO 34"W X 31"H (VERTICAL MOUNT), AND HORIZONTAL MOUNT 20" ROUND AND 22"W X 20"H OVAL DUCT SIZES, Arrow's 22-GA DUCT CONNECTION COLLAR (CRIMPED TO THE DAMPER HOUSING) CONSTITUTES A U.L. APPROVED DUCT-TO-SLEEVE "BREAKAWAY" CONNECTION, THUS ALLOWING A RIGID CONNECTION JOINT TO BE UTILIZED BETWEEN THE DAMPER'S DUCT CONNECTION COLLAR AND THE ROUND OR OVAL DUCTWORK.

HORIZONTAL MOUNT



DAMPER TO BE INSTALLED WITH THE BLADE LOCK POINTS FACING DOWNWARD AND WITH ACCESS FROM ABOVE

DIMENSIONAL DATA:

MINIMUM SIZE: 4"W x 4"H (Duct), 6"W x 7"H (Frame).
MAXIMUM SIZE - VERTICAL (Model D17CV):
34"W x 31"H (Duct), 36"W x 36"H (Frame).
HORIZONTAL (Model D17CH):
22"W x 20"H (Duct), 24"W x 24"H (Frame).

STANDARD MATERIALS & CONSTRUCTION:

- FRAME: One-piece rollformed 22-GA galvanized steel.
- BLADES: 22-GA galvanized steel curtain-type.
- HOUSING: 18-GA galvanized steel (Std.).
- DUCT CONNECTION COLLAR: 22-GA galvanized steel.
- FUSIBLE LINK: UL-listed 165°F; replaceable.
(Optional 212°F (**Vertical Mount Only**) available at no additional charge.)
- CLOSURE SPRINGS: Heat-treated Type 301 stainless steel constant force coiled negator type.

NOTE: Dampers should be ordered by nominal duct size. Fractional duct dimension (1/8" min.) will require the same fractional addition to the corresponding damper housing dimension.

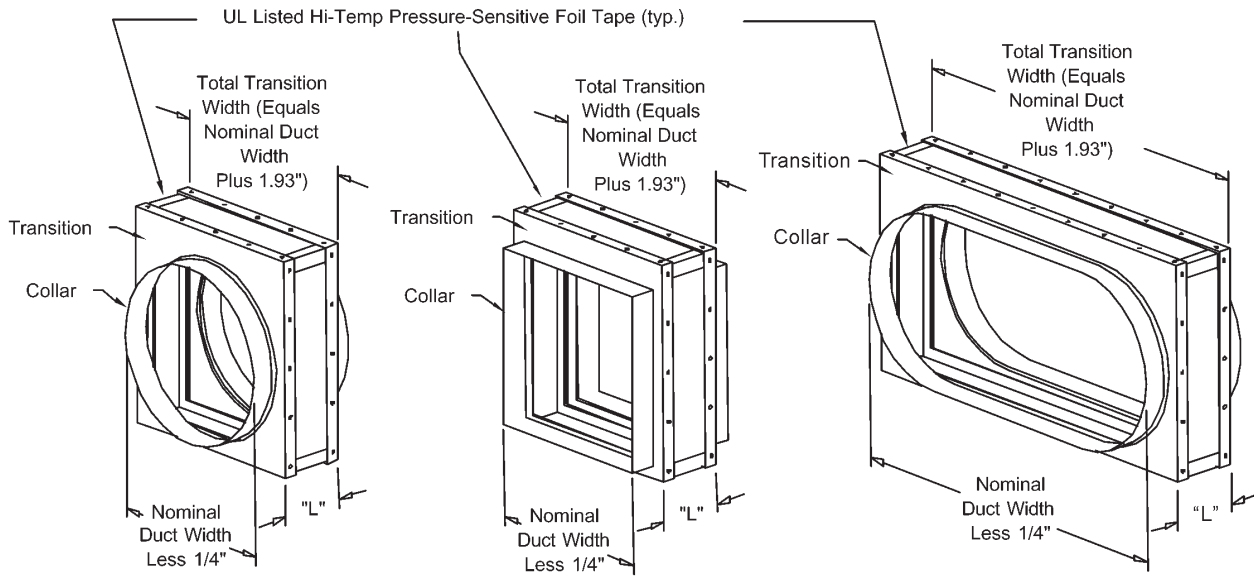
- PROJECT:
- LOCATION:
- ARCHITECT:
- ENGINEER:
- CONTRACTOR:
- PO NUMBER:
- DATE:

*Additional information
on reverse side.*

ARROW UNITED INDUSTRIES SUBMITTAL DATA

FIRE/SEAL® UL-CLASSIFIED 1½-HR. DYNAMIC RATED FIRE DAMPER

MODEL D17C
Vertical & Horizontal Mount



NOTES:

- 1 When a dynamic fire damper closes under airflow conditions, due to inertia, a momentary negative pressure spike (vacuum) can occur on the downstream side of the closed damper. This situation should be taken into consideration by the Engineer/System Designer.

With 100% Free Area, Pressure Drop is determined by FACE Area Velocity (in lieu of Free Area Velocity).

DAMPER SIZING CHART

Width: Add 2" to nominal duct width.

Height:

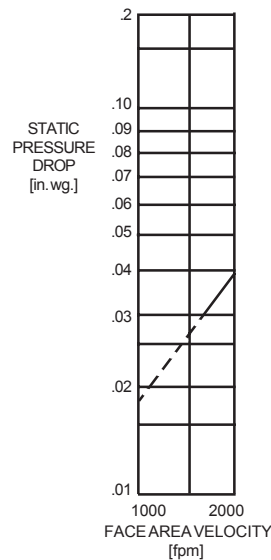
IF NOMINAL DUCT HEIGHT IS:	INCHES TO ADD FOR TOTAL DAMPER HEIGHT:
6" THRU 18"	3"
19" THRU 28"	4"
29" THRU 31"	5"

See DIMENSIONAL DATA on front side.

AVAILABLE OPTIONS:

1. 18-GA through 10-GA housing.
2. Housing Length ("L" dimension) of 6" through 24".
3. Type 304 stainless steel construction.
4. 212°F fusible link (Vertical Mount Only).
5. Electro Thermal Link [ETL®].
6. SPDT "closed damper" position indicator switch.
7. "Pull-Ring" for ease of reopening closed damper.

$$\text{FACE AREA VELOCITY [fpm]} = \frac{\text{FLOW [cfm]}}{\text{FACE AREA [sq. ft.]}}$$



IN THE INTEREST OF PRODUCT DEVELOPMENT, ARROW UNITED RESERVES THE RIGHT TO MAKE CHANGES WITHOUT NOTICE.

Arrow United Industries
A Division of Mestek, Inc.
314 Riverside Drive • Wyalusing, PA 18853
Ph: (570)-746-1888 Fax: (570)-746-9286
www.arrowunited.com