

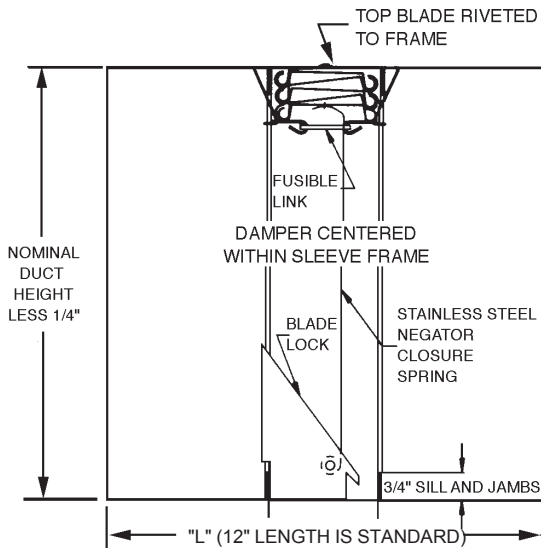
**FIRE/SEAL® UL-CLASSIFIED
1-1/2 HR. DYNAMIC RATED FIRE DAMPER
WITH INTEGRAL SLEEVE FRAME**

**MODEL D17X
"A" STYLE**
Vertical & Horizontal Mount

**NO ADDITIONAL SLEEVE REQUIRED,
PROVIDED DUCT THICKNESS IS 20-GA. OR LESS,
AND U.L.-APPROVED BREAKAWAY DUCT-TO-SLEEVE
CONNECTION JOINTS ARE USED, PER UL-555.**

Classified by Underwriters Laboratories as a 1 1/2 hour fire protection rated Fire Damper, FOR USE IN DYNAMIC SYSTEMS, in accordance with Standards UL-555 and NFPA-90A, for the protection of openings in fire partitions having a fire resistance rating of less than 3 hours.

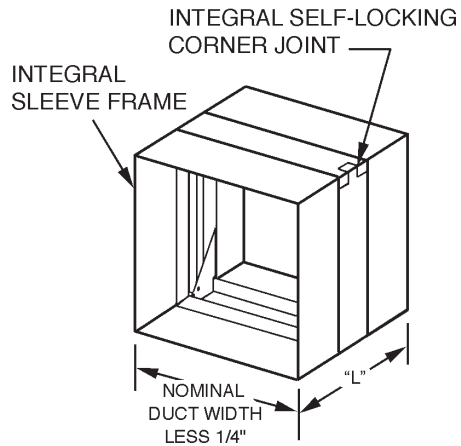
VERTICAL MOUNT



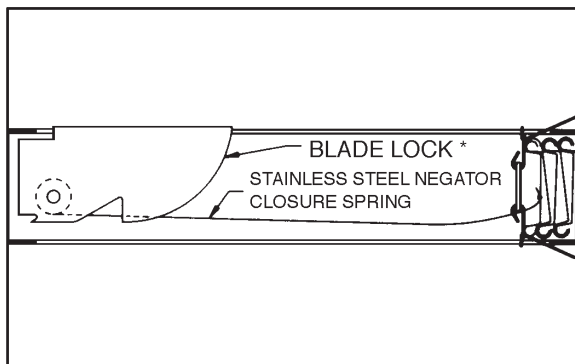
UNDERWRITERS LABORATORIES INC.
CLASSIFIED
FIRE DAMPERS
FIRE RESISTANCE RATING **1-1/2 HR.**
SEE U.L. CLASSIFIED BUILDING MATERIALS INDEX

Arrow United Industries

**California State Fire Marshal
Listing No. 3225-1328:100**



HORIZONTAL MOUNT



(*): DAMPER TO BE INSTALLED WITH BLADE LOCK POINTS FACING DOWNWARD AND WITH ACCESS FROM ABOVE.

DIMENSIONAL DATA:

MINIMUM SIZE: 6"W x 6"H.

MAXIMUM SIZE: **VERTICAL**

Single Panel: 36" x 36"
Multiple Panel: Not Available

HORIZONTAL

Single Panel: 24" x 24"
Multiple Panel: Not available

NOTE: Dampers should be ordered by nominal duct size.

STANDARD MATERIALS & CONSTRUCTION:

- SLEEVE FRAME: One-piece rollformed 20-GA galvanized steel.
- BLADES: 22-GA galvanized steel curtain-type.
- FUSIBLE LINK: UL-Listed 165°F; replaceable. (Optional 212°F available (**Vertical Mount Only**) at no additional charge).
- CLOSURE SPRINGS: Heat-treated Type 301 stainless steel constant force coiled negator type.

- PROJECT:**
- LOCATION:**
- ARCHITECT:**
- ENGINEER:**
- CONTRACTOR:**
- PO NUMBER:**
- DATE:**



Arrow United Industries
A Division of Mestek, Inc.
314 Riverside Drive • Wyalusing, PA 18853
Ph: (570)-746-1888 Fax: (570)-746-9286
www.arrowunited.com

Additional information on reverse side.

ARROW UNITED INDUSTRIES SUBMITTAL DATA

FIRE/SEAL® UL-CLASSIFIED 1 1/2-HR. DYNAMIC RATED FIRE DAMPER WITH INTEGRAL SLEEVE FRAME

**MODEL D17X
"A" STYLE**

		FREE AREA [sq. ft.] Duct Width (in.)							
		8	12	16	20	24	28	32	36
Duct Height (in.)	8	0.2	0.4	0.6	0.7	0.9	1.0	1.2	1.4
	12	0.4	0.7	0.9	1.2	1.5	1.8	2.0	2.3
	16	0.6	0.9	1.3	1.7	2.0	2.4	2.8	3.1
	20	0.7	1.2	1.7	2.1	2.6	3.1	3.5	4.0
	24	0.9	1.4	2.0	2.6	3.2	3.7	4.3	4.9
	28	1.0	1.7	2.4	3.0	3.7	4.4	5.0	5.7
	32	1.2	2.0	2.7	3.5	4.3	5.1	5.8	6.6
	36	1.3	2.2	3.1	4.0	4.8	5.7	6.6	7.4

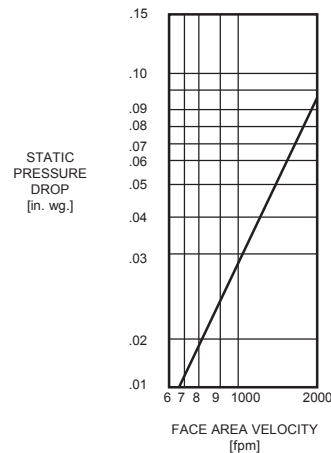
AVAILABLE OPTIONS:

1. Sleeve frame length ("L" dimension) of 14" or 16"
2. 212°F fusible link (Vertical Mount Only).
3. Electro Thermal Link [ETL®].
4. SPDT "closed damper" position indicator switch.
5. Transitions & Collars for round or oval ductwork for Low Pressure HVAC Systems - See Submittal Data Sheet SD-T.
6. Transitions & Collars and Sealant/Caulking for rectangular, round, or oval ductwork for High Pressure HVAC Systems ("C" Style Damper) - See Submittal Data Sheet SD-D17XC.

NOTES:

1. Rated at 2000 fpm, 4 in. wg.
2. When a dynamic fire damper closes under airflow conditions, due to inertia, a momentary negative pressure spike (vacuum) can occur on the downstream side of the closed damper. This situation should be taken into consideration by the Engineer/System Designer.

$$\text{FACE AREA VELOCITY [fpm]} = \frac{\text{FLOW [cfm]}}{\text{FACE AREA [sq. ft.]}}$$



Arrow United Industries
A Division of Mestek, Inc.
314 Riverside Drive • Wyalusing, PA 18853
Ph: (570)-746-1888 Fax: (570)-746-9286
www.arrowunited.com

IN THE INTEREST OF PRODUCT DEVELOPMENT, ARROW UNITED RESERVES THE RIGHT TO MAKE CHANGES WITHOUT NOTICE.