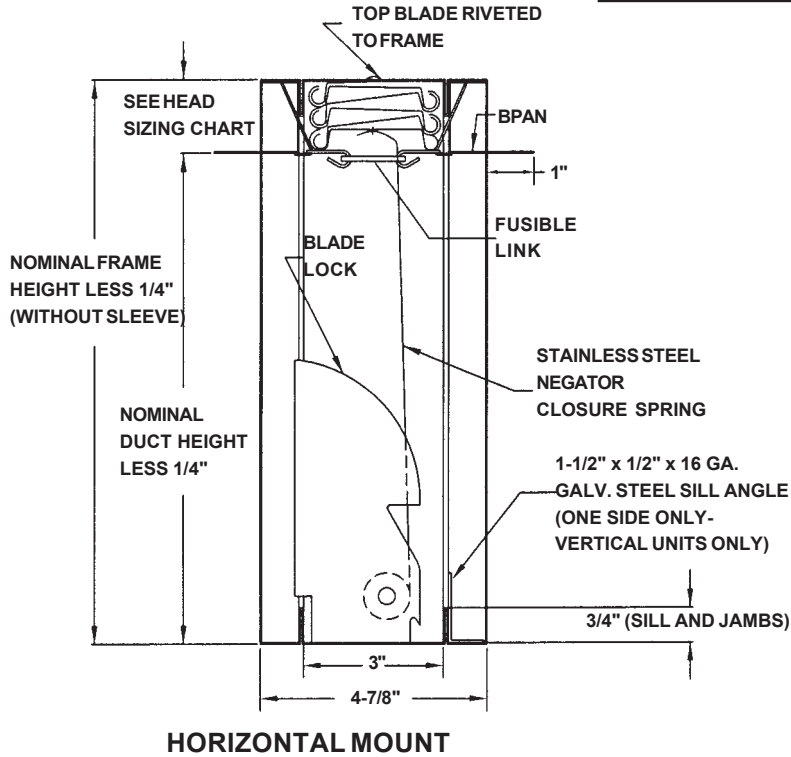


FIRE/SEAL® UL-CLASSIFIED 3-HR. DYNAMIC RATED FIRE DAMPER

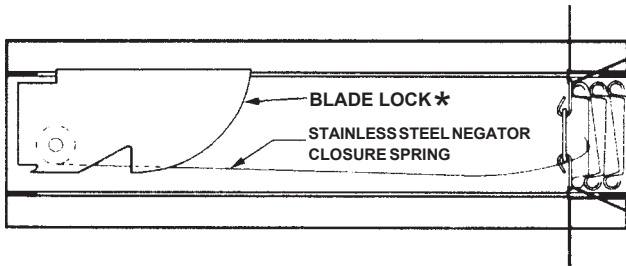
MODEL D37B
Vertical & Horizontal Mount

Classified by Underwriters Laboratories as a 1½-hour fire protection rated Fire Damper, FOR USE IN DYNAMIC SYSTEMS, in accordance with Standards UL-555 and NFPA-90A, for the protection of openings in fire partitions having a fire resistance rating of 3 hours or more.

VERTICAL MOUNT



HORIZONTAL MOUNT

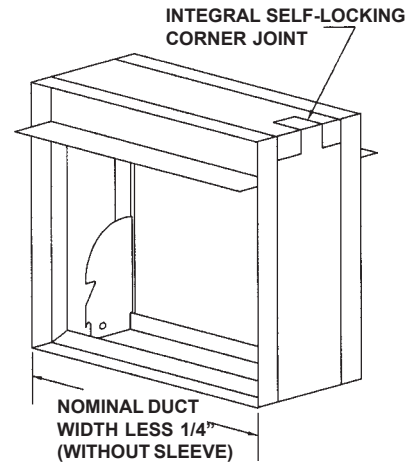


* DAMPER TO BE INSTALLED WITH BLADE LOCK POINTS FACING DOWNWARD AND WITH ACCESS FROM ABOVE

UNDERWRITERS LABORATORIES INC.
CLASSIFIED
FIRE DAMPERS
FIRE RESISTANCE RATING **3 HR.**
SEE U.L. CLASSIFIED BUILDING MATERIALS INDEX

Arrow United Industries

California State Fire Marshal
Listing No. 3225-1328:101



DIMENSIONAL DATA:

MINIMUM SIZE: 6" W x 4" H (Duct), 6"W X 6"H (Frame).
MAXIMUM SIZE - **VERTICAL:**
Single Panel: 36"W x 32"H(Duct), 36"W x 36"H(Frame).
HORIZONTAL:
Single Panel: 24"W x 21"H(Duct), 24"W x 24"H(Frame).

STANDARD MATERIALS & CONSTRUCTION:

FRAME: One-piece rollformed 22-GA galvanized steel.
BLADES: 22-GA galvanized steel curtain-type.
FUSIBLE LINK: UL-listed 165°F; replaceable.
(Optional 212°F available (**Vertical Mount Only**) at no additional charge.)
CLOSURE SPRINGS: Heat-treated Type 301 stainless steel constant force coiled negator type.

PROJECT:
LOCATION:
ARCHITECT:
ENGINEER:
CONTRACTOR:
PO NUMBER:
DATE:

Arrow United Industries
A Division of Mestek, Inc.
314 Riverside Drive • Wyalusing, PA 18853
Ph: (570)-746-1888 Fax: (570)-746-9286
www.arrowunited.com
MEMBER OF AMCA

Additional information
on reverse side.

ARROW UNITED INDUSTRIES SUBMITTAL DATA

FIRE/SEAL® UL-CLASSIFIED 3-HR. DYNAMIC RATED FIRE DAMPER

MODEL D37B

AVAILABLE OPTIONS:

1. Factory-supplied sleeves (20-GA through 10-GA).
2. Type 304 stainless steel construction.
3. 212°F fusible link (Vertical Mount Only).
4. Electro Thermal Link [ETL®].
5. SPDT "closed damper" position indicator switch.

HEAD SIZING CHART (See DIMENSIONAL DATA on front side).

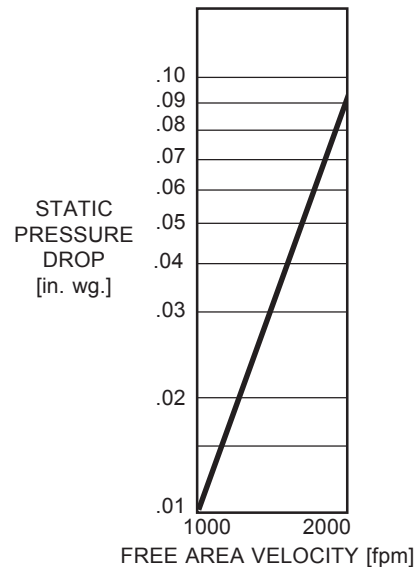
IF NOMINAL DUCT HEIGHT	INCHES TO ADD FOR HEAD:
3" thru 18"	2"
19" thru 28"	3"
29" thru 32"	4"

NOTES:

1. Rated at 2000 fpm, 4 in. wg.
2. When a dynamic fire damper closes under airflow conditions, due to inertia, a momentary negative pressure spike (vacuum) can occur on the downstream side of the closed dampers. This situation should be taken into consideration by the Engineer/System Designer.

$$\text{FREE AREA VELOCITY [fpm]} = \frac{\text{FLOW [cfm]}}{\text{FREE AREA [sq. ft.]}}$$

Duct Height (in.)	FREE AREA [sq. ft.] Duct Width (in.)							
	8	12	16	20	24	28	32	36
8	0.27	0.44	0.62	0.79	0.97	1.1	1.3	1.5
12	0.44	0.73	1.0	1.3	1.6	1.9	2.1	2.4
16	0.62	1.1	1.4	1.8	2.2	2.6	3.0	3.4
20	0.79	1.3	1.8	2.3	2.8	3.3	3.8	4.3
24	0.97	1.6	2.2	2.8	3.4	4.1	4.7	5.3
28	1.1	1.9	2.6	3.3	4.1	4.8	5.5	6.2
32	1.3	2.1	3.0	3.8	4.7	5.5	6.3	7.2



IN THE INTEREST OF PRODUCT DEVELOPMENT, ARROW UNITED RESERVES THE RIGHT TO MAKE CHANGES WITHOUT NOTICE.