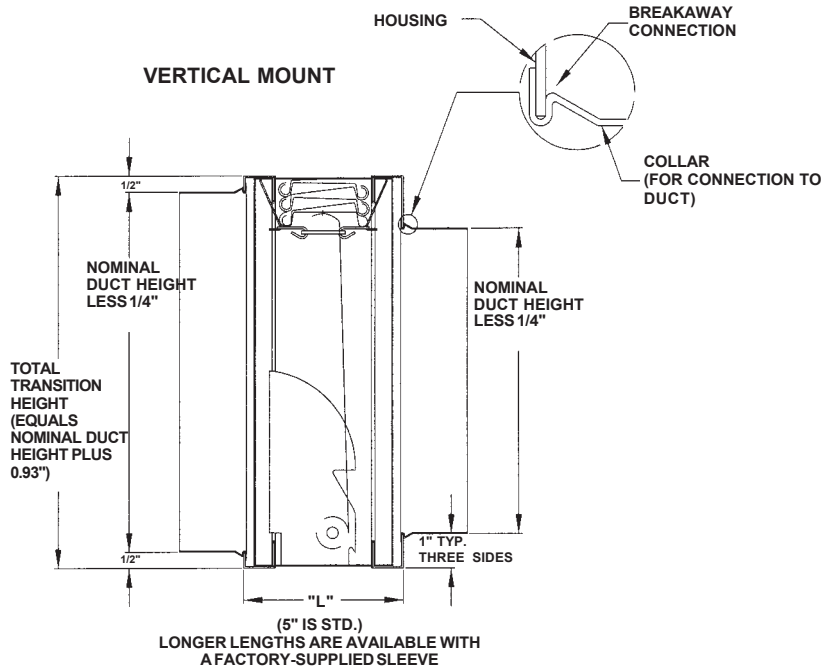


FIRE/SEAL® UL-CLASSIFIED 3-HR. DYNAMIC RATED FIRE DAMPER

MODEL D37C
Vertical & Horizontal Mount

Classified by Underwriters Laboratories as a 3-hour fire protection rated Fire Damper, FOR USE IN DYNAMIC SYSTEMS, in accordance with Standards UL-555 and NFPA-90A, for the protection of openings in fire partitions having a fire resistance rating of 3 hours or more.



UNDERWRITERS LABORATORIES INC.
CLASSIFIED
FIRE DAMPERS
FIRE RESISTANCE RATING **3 HR.**
SEE U.L. CLASSIFIED BUILDING MATERIALS INDEX

Arrow United Industries

California State Fire Marshal
Listing No. 3225-1328:101

IMPORTANT

FOR ROUND DUCT DIAMETERS UP TO 31", AND FOR OVAL DUCT SIZES UP TO 34" W x 31" H, ARROW'S 22-GA DUCT CONNECTION COLLAR (CRIMPED TO THE DAMPER HOUSING) CONSTITUTES A U.L.-APPROVED DUCT-TO-SLEEVE "BREAKAWAY" CONNECTION, THUS ALLOWING A RIGID CONNECTION JOINT TO BE UTILIZED BETWEEN THE DAMPER'S DUCT CONNECTION COLLAR AND THE ROUND OR OVAL DUCTWORK.

DIMENSIONAL DATA:

MINIMUM SIZE: 4"W x 4"H (Duct), 6"W x 7"H (Frame).

MAXIMUM SIZE - VERTICAL:

Single Panel: 34"W x 31"H (Duct), 36"W x 36"H (Frame).

HORIZONTAL:

Single Panel: 22"W x 20"H (Duct), 24"W x 24"H (Frame).

NOTE: Dampers should be ordered by nominal duct size. Fractional duct dimension (1/8" min.) will require the same fractional addition to the corresponding damper housing dimension.

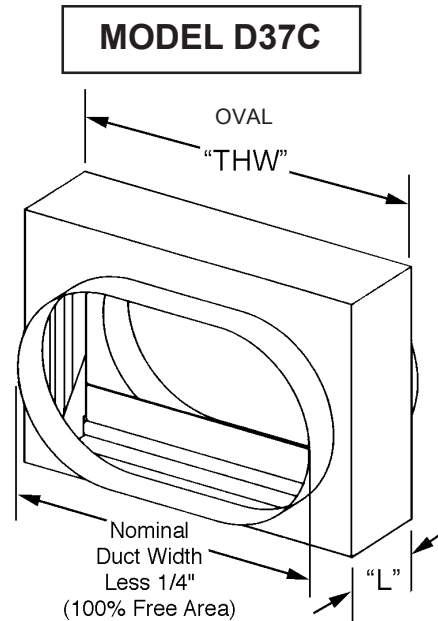
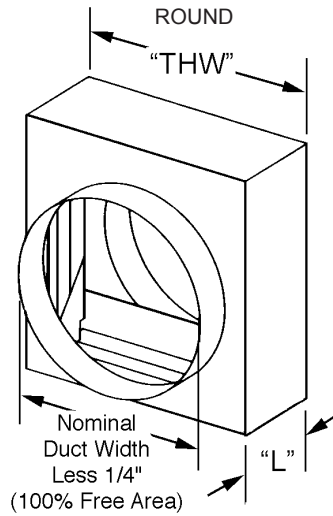
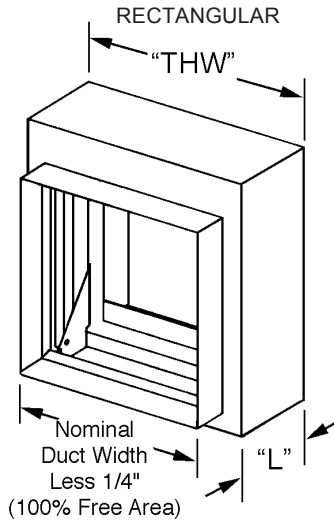
STANDARD MATERIALS & CONSTRUCTION:

- FRAME: One-piece rollformed 22-GA galvanized steel.
- BLADES: 22-GA galvanized steel curtain-type.
- HOUSING: 18-GA galvanized steel (Std.).
- DUCT CONNECTION COLLAR: 22-GA galvanized steel.
- FUSIBLE LINK: UL-listed 165°F; replaceable. (Optional 212°F available **(Vertical Mount Only)** at no additional charge.)
- CLOSURE SPRINGS: Heat-treated Type 301 stainless steel constant force coiled negator type.

- PROJECT:
- LOCATION:
- ARCHITECT:
- ENGINEER:
- CONTRACTOR:
- PONUMBER:
- DATE:

ARROW UNITED INDUSTRIES SUBMITTAL DATA

FIRE/SEAL® UL-CLASSIFIED 3-HR. DYNAMIC RATED FIRE DAMPER



"THW": Total Housing Width } Equals Nominal Duct Width less 1/4", Plus 2",
 Plus Four Times Gauge of Housing:
 (Four times standard 18-Ga. housing equals 0.23").

DAMPER SIZING CHART

Width: Add 2" to Nominal Duct Width

Height:	IF NOMINAL DUCT HEIGHT IS:	INCHES TO ADD FOR NOMINAL FRAME HEIGHT
	6" thru 18"	3"
	19" thru 28"	4"
	28" thru 31"	5"

See DIMENSIONAL DATA on front side.

With 100% Free Area, Pressure Drop is determined by FACE Area Velocity (in lieu of Free Area Velocity).

NOTE:

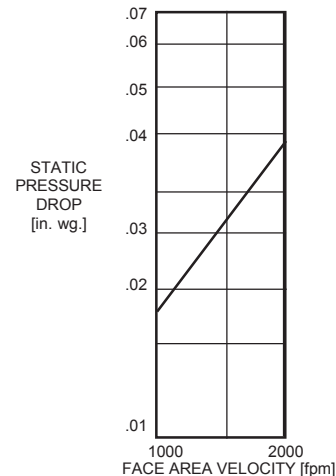
- When a dynamic fire damper closes under airflow conditions, due to inertia, a momentary negative pressure spike (vacuum) can occur on the downstream side of the closed damper. This situation should be taken into consideration by the Engineer/System Designer.
- Rated at 2000 fpm, 4 in. wg.

AVAILABLE OPTIONS:

- 16-GA through 10-GA housing.
- Housing length ("L" dimension) of 6" through 24".
- 212°F fusible link (Vertical Mount Only).
- SPDT "closed damper" position indicator switch.
- Type 304 Stainless Steel construction.

IN THE INTEREST OF PRODUCT DEVELOPMENT, ARROW UNITED RESERVES THE RIGHT TO MAKE CHANGES WITHOUT NOTICE.

$$\text{FACE AREA VELOCITY [fpm]} = \frac{\text{FLOW [cfm]}}{\text{FACE AREA [sq. ft.]}}$$



Arrow United Industries
 A Division of Mestek, Inc.
 314 Riverside Drive • Wyalusing, PA 18853
 Ph: (570)-746-1888 Fax: (570)-746-9286
www.arrowunited.com