

INSTALLATION INSTRUCTIONS FIRE/SMOKE RATED FRONT ACCESS (GRILLE MOUNT) DAMPERS MODELS AS_G or AS_F

AII-FRONT ACCESS-02.1

APPLICATION

This UL Classified (see complete marking on product) combination fire/smoke damper has been tested with the damper out of the plane of the fire barrier. This arrangement allows for grille and grille/OBD assemblies to be flush mounted to the face of the fire barrier. Upon removal of the grille; the damper, damper actuator, damper linkage and resetting of the heat responsive device are accessible.

This damper is intended to close automatically when sensing elevated temperature or upon loss of electrical power. If closed due to loss of electrical power, the damper will reopen when electrical power is restored.

- 1½ Hour Fire Rated, UL File R4708
- For use in Dynamic or Static Systems
- Available in UL Leakage Class I, II or III
- Factory Mounted Sleeve and Actuator
- 15 second (maximum) opening time, Actuator Regulated Closure.

This damper is approved for vertical installation into block, masonry or metal stud construction walls, See Figure 2. This damper can also be mounted into wood stud construction walls, See Figure 3. Blades must run horizontal. This damper is required to be insulated on the top and two sides (the bottom is not insulated). This damper cannot be mounted up-side-down, reference "Top of Damper" label. Pinching, racking and other causes of frame distortion can result in reduced leakage resistance or incomplete closure.

Electrical wiring is to be in compliance with local codes and the National Electric Code (NEC). Reference wiring diagram on damper, ensure that supply voltage matches actuator requirements. Damper and actuator must be tested prior to system start-up to ensure proper operation.

INSTALLATION - General Requirements

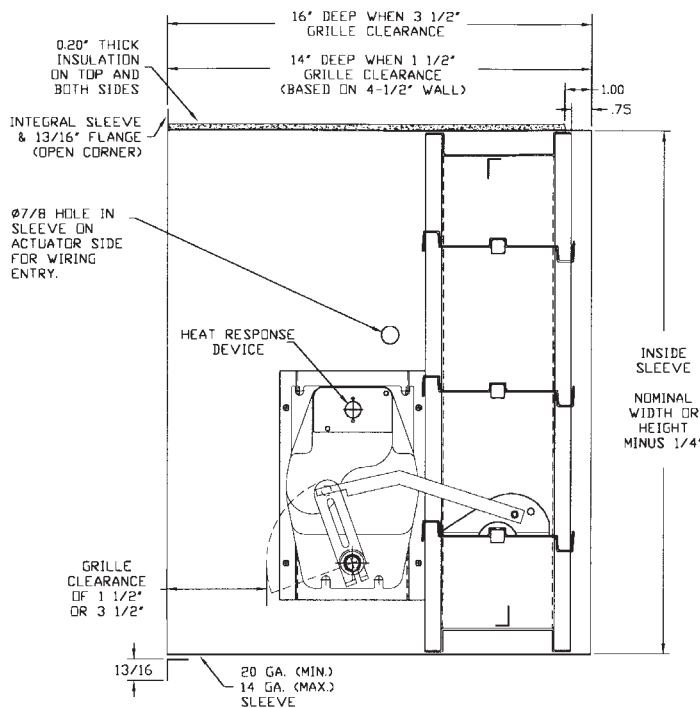


Figure 1

1. If the actuator is electrically energized yet the damper remains in the closed position, check that the reset button on the heat response device is depressed (disconnect power before resetting).

2. **Insulation** - Damper is factory insulated on top and both sides. Care should be taken during installation to prevent ripping or other damage to the insulation.

3. **Opening Size** - No expansion clearance is required but sufficient clearance between the damper and the opening is required for the insulation and for mounting. The minimum opening width shall be 3/8" larger than the nominal width. The minimum opening height shall be 1/4" larger than the nominal height. The maximum opening size shall be no more than 1/4" greater than the minimum opening size.

Example: An 18" wide by 24" high nominal size damper will require a minimum opening width of 18 3/8" and a minimum opening height of 24 1/4". Note, the preceding example is based on the standard 20 ga. sleeve.

4. **Duct Mounting** - When duct work is connected to the non-flange end of the damper sleeve, the following applies:

Sleeves shall be steel of the same gauge or heavier as the duct to which it is attached. Sleeve gauge to be 20 ga. (min.), 14 ga. (max.). Connecting ducts shall not be continuous, but terminate at damper sleeve.



Arrow United Industries
A Division of Mestek, Inc.
314 Riverside Drive • Wyalusing, PA 18853

Duct Mounting - (continued)

Duct connections to the sleeve will be either of the breakaway or rigid types. The following determines if the connections are rigid or breakaway. For rigid type duct connections, sleeve shall be a minimum of 16 ga. on dampers not exceeding 36" wide or 24" high and 14 ga. on larger units. The standard factory supplied sleeve is 20 ga. galvanized steel and requires that a breakaway type duct connection will be employed. The following breakaway duct-to-sleeve connections may be used: Plain "S" Slip, Double "S" Slip, Inside Slip, Hemmed "S" Slip, Standing "S" Slip (Bar or Angle Reinforced), Standing "S" Slip (Alternate Bar). Various flanged connection systems are also approved as breakaway connections. Consult manufacturer's instructions for specific details.

5. **Sens-O-Therm Reopenable Feature** - This feature allows the damper to be reopened from a remote switch (by others) after the low temperature heat responsive device has been activated.

Operation of optional reopenable (Sens-O-Therm) feature:

- A. Master Control Switch in closed position - the damper will close regardless of whether the thermal switch device has activated or not and regardless of the command from the smoke detector.
- B. Master Control Switch in reopen position - if the damper has not been exposed to an elevated temperature higher than its rating, the damper will open. Also, the damper will open regardless of whether the low limit switch (either 165°F or 212°F) has actuated or not. If the damper has been exposed to an elevated temperature higher than its temperature degradation rating or if the electrical or pneumatic supply has been disconnected, the damper will close and remain closed regardless of a Master Control Switch position.

6. **Maintenance** - Damper shall be maintained in intervals as stated in NFPA 90A and 92A unless local codes

Metal Stud or Masonry Wall Construction

In addition to the previously stated General Requirements, the following instructions pertain to block, masonry or metal stud construction, **See Figure 2.**

- 7. **Grille** — A minimum 26 ga. steel frame is required, core of grille can be aluminum or nonmetallic. If a thinner or non-steel grille frame is used, then open corners of flanged sleeve must be closed off with 20 ga. (minimum) corner tabs (by others) riveted to flanges. When the flanges are not continuous but formed by a series of flange clips, grille flange must be steel of a minimum thickness of 26 ga., **See Figure 4.**
- 8. **Mounting Damper to Opening** - Unlike traditional fire damper installations, this damper requires no perimeter retaining angles. To mount the damper, insert the damper into the opening until the flange contacts the wall face, **See Note 3** for proper opening sizing. Through the grille clearance area of the sleeve, secure the damper to the steel wall stud framing using #10 steel S.M.S. 12" O.C. (maximum), 6" (maximum) from each corner, minimum of one fastener per each side, bottom and top. For masonry construction, use #10 (minimum) steel concrete screws or anchors (same spacing as for steel stud

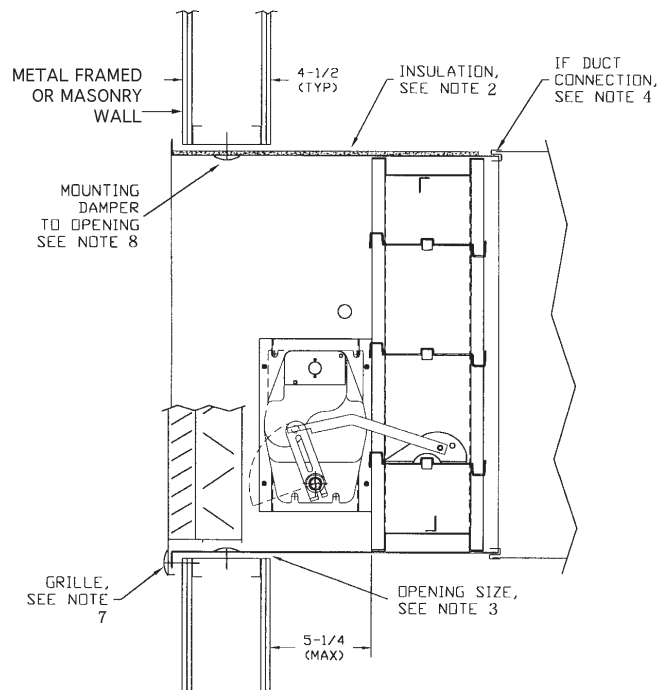


Figure 2

Wood Stud Wall Construction

In addition to the previously stated General Requirements, the following instructions pertain to wood stud construction walls, **See Figure 3.**

9. **Grille** — A minimum 26 ga. steel frame is required, core of grille can be aluminum or nonmetallic. If a thinner or non-steel grille frame is used, then open corners of flanged sleeve must be closed off with 20 ga. (minimum) corner tabs (by others) riveted to flanges. Grille is attached to either the sleeve flange or to the wood framing with steel screws 10" maximum on center.
10. **Mounting** - The damper is retained in the opening by the front sleeve flange and rear retaining angles. Rear perimeter retaining angles to be a minimum size of 1 1/2" x 1 1/2" x 16 Ga. steel or Arrow supplied 1 1/2" x 7/8" x 16 Ga. steel "Tab-Lock" retaining angles. Angles are attached to the damper sleeve using #10 steel sheet metal screws or 3/16" steel rivets at 6" maximum on-center.

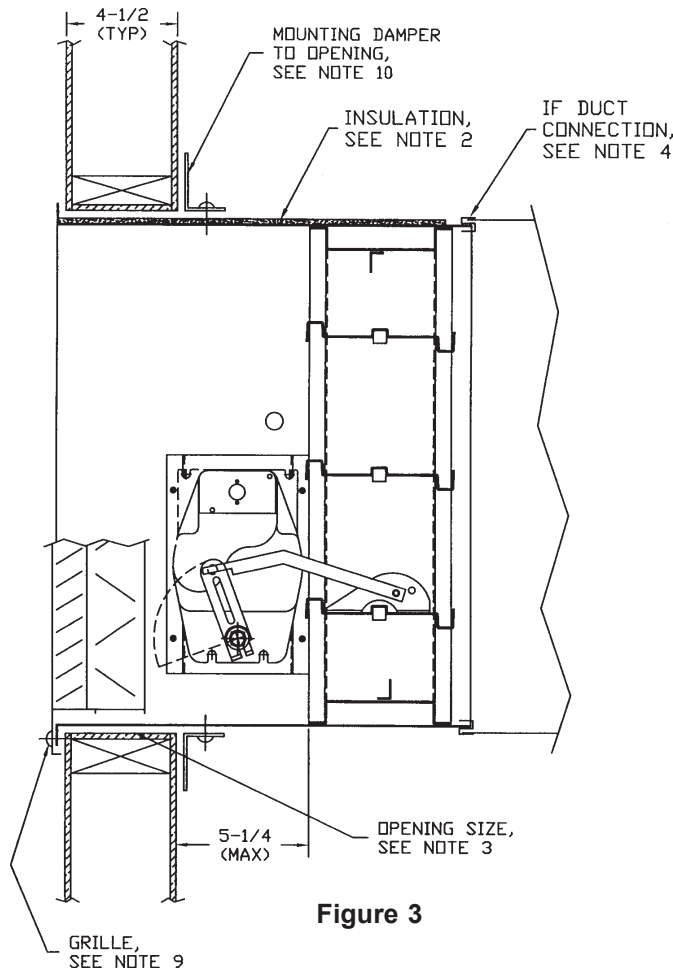


Figure 3

Flange Clip Mounting

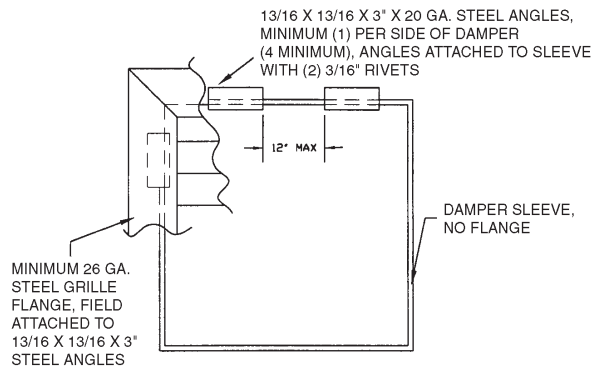
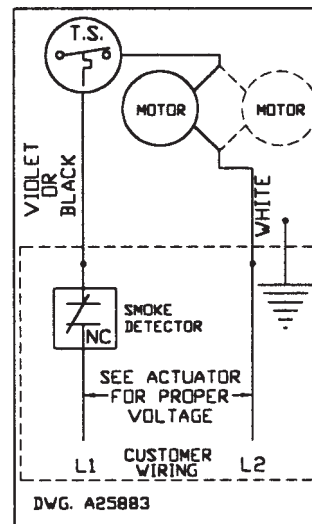
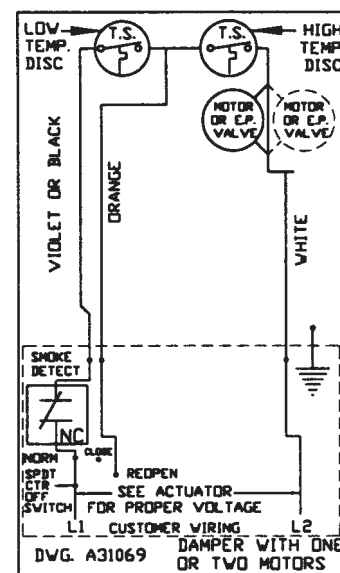


Figure 4



For use on dampers with one heat response device (non-reopenable).



For use on dampers with two heat response devices (non-reopenable).

Wiring Schematic

THIS PAGE IS INTENTIONALLY LEFT BLANK



Arrow United Industries
A Division of Mestek, Inc.
314 Riverside Drive • Wyalusing, PA 18853