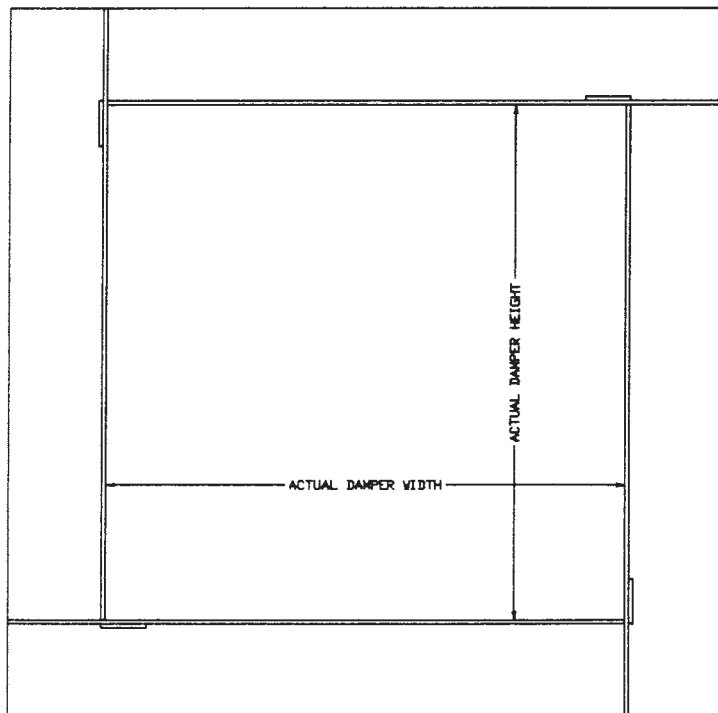
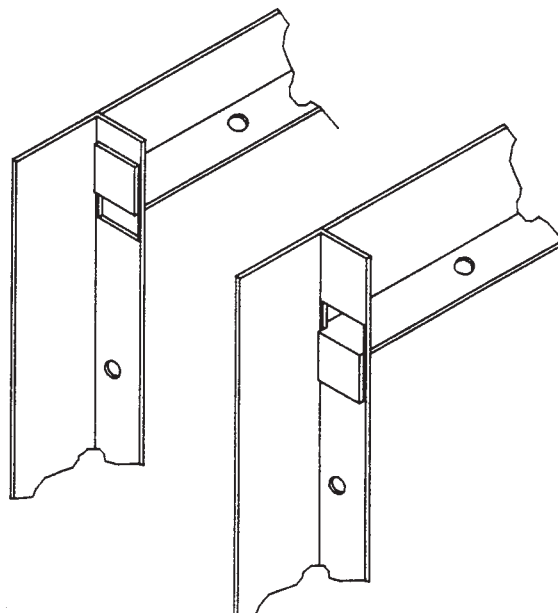
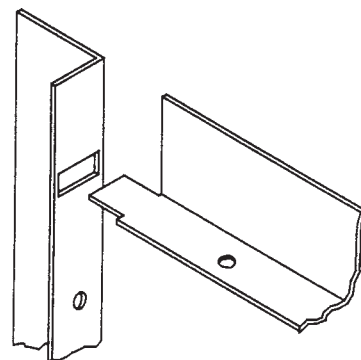


# ARROW UNITED INDUSTRIES

## TAB-LOCK RETAINING ANGLES

Tab-Lock Retaining Angles may be used to mount Arrow United Industries Fire or Combination Fire/Smoke Dampers, both vertically & horizontally. UL approved for dampers with a 1½ hr. fire rating, they offer the flexibility of attachment to the sleeve prior to, or after insertion of the sleeve into the rated barrier. The corner tabs can be bent 90 degrees in either direction before or after attachment to the sleeve, depending on jobsite preference.

Tab-Lock Retaining Angles are pre-punched for easy attachment to the sleeve. Refer to the appropriate Installation Instructions for details.



Meets requirements established by: Underwriters Laboratories  
 UBC BOCA  
 CSFM SBCCI  
 SMACNA NFPA  
 City of Los Angeles